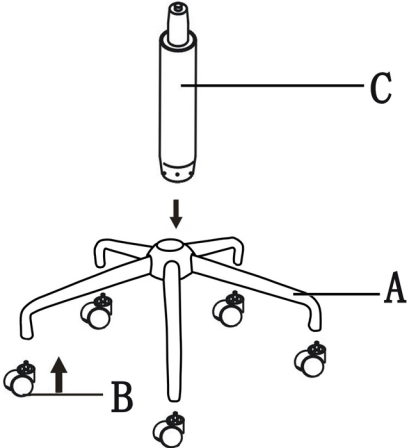
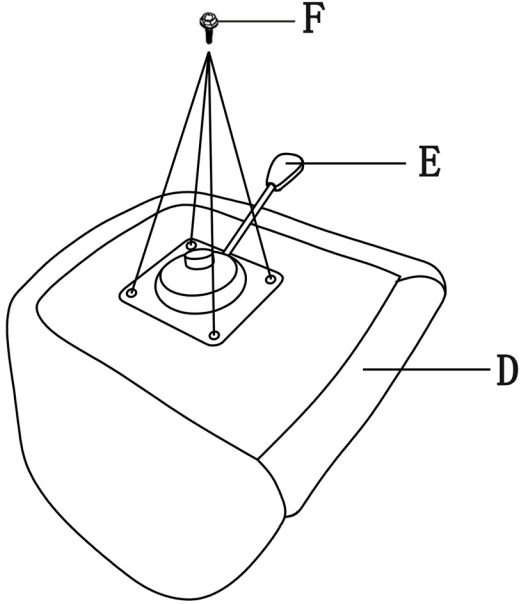




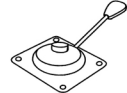





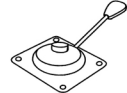





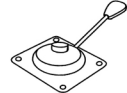

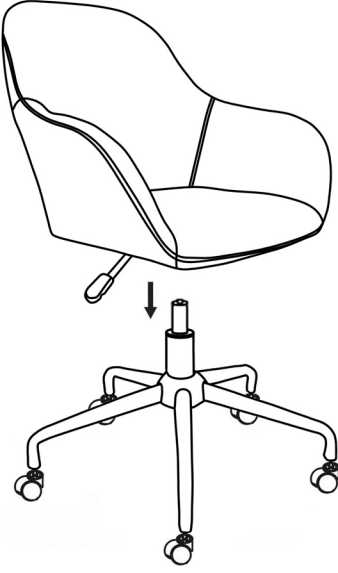

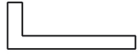
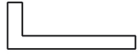
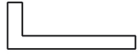


<p>1</p> 	<p>2</p> 	<table border="1"> <tbody> <tr> <td data-bbox="1676 158 1763 269">A</td> <td data-bbox="1763 158 2089 269">  </td> <td data-bbox="2089 158 2245 269">x1</td> </tr> <tr> <td data-bbox="1676 269 1763 380">B</td> <td data-bbox="1763 269 2089 380">  </td> <td data-bbox="2089 269 2245 380">x5</td> </tr> <tr> <td data-bbox="1676 380 1763 491">C</td> <td data-bbox="1763 380 2089 491">  </td> <td data-bbox="2089 380 2245 491">x1</td> </tr> <tr> <td data-bbox="1676 491 1763 602">D</td> <td data-bbox="1763 491 2089 602">  </td> <td data-bbox="2089 491 2245 602">x1</td> </tr> <tr> <td data-bbox="1676 602 1763 713">E</td> <td data-bbox="1763 602 2089 713">  </td> <td data-bbox="2089 602 2245 713">x1</td> </tr> <tr> <td data-bbox="1676 713 1763 813">F</td> <td data-bbox="1763 713 2089 813">  M6*16mm </td> <td data-bbox="2089 713 2245 813">x4</td> </tr> </tbody> </table>	A		x1	B		x5	C		x1	D		x1	E		x1	F	 M6*16mm	x4
A		x1																		
B		x5																		
C		x1																		
D		x1																		
E		x1																		
F	 M6*16mm	x4																		
<p>3</p> 	<p>4</p> 	<table border="1"> <tbody> <tr> <td data-bbox="1676 813 1763 924">G</td> <td data-bbox="1763 813 2089 924">  </td> <td data-bbox="2089 813 2245 924">x1</td> </tr> <tr> <td></td> <td></td> <td></td> </tr> <tr> <td></td> <td></td> <td></td> </tr> <tr> <td></td> <td></td> <td></td> </tr> <tr> <td></td> <td></td> <td></td> </tr> <tr> <td></td> <td></td> <td></td> </tr> </tbody> </table>	G		x1															
G		x1																		