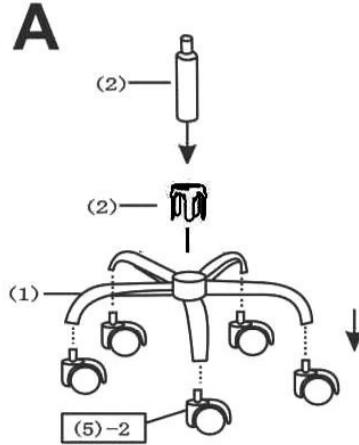
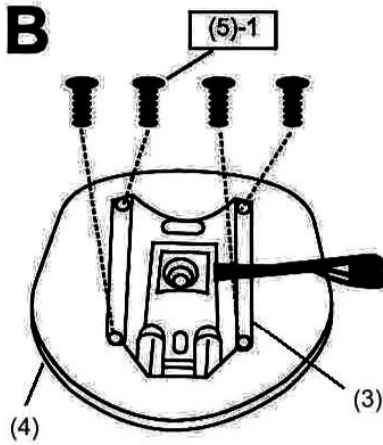
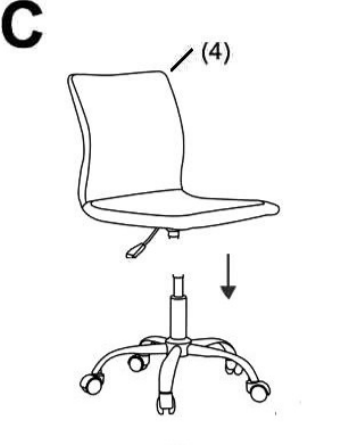





(1) x1	(2) x1	(3) x1	A 			B 			C 		
(4) x1											
			(5)								
1.  X4 (6x16)mm											
2.  X5											
