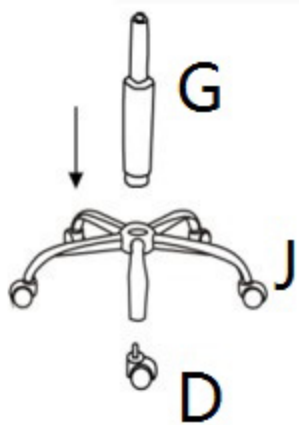
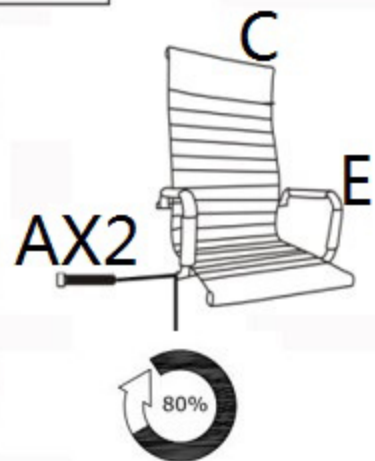




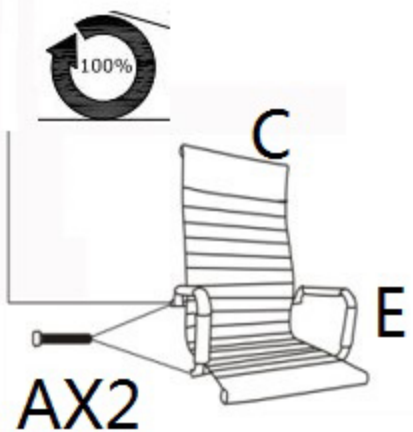
1



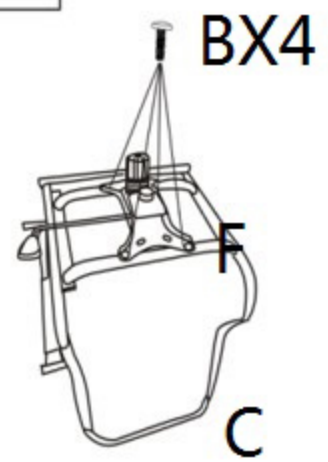
2



3



4



5



C x1



D x5



E x1



A (M8x20mm) x4



F x1



B (M8x50mm) x4



G x1



H x1



J x1

