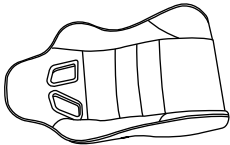

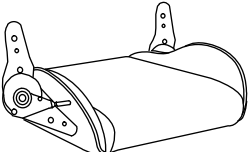
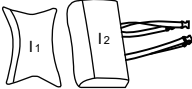
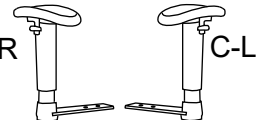
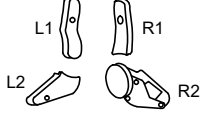
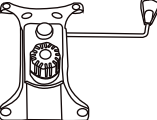



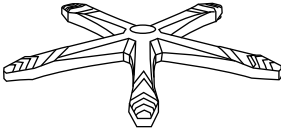




Ax1 	Hx1 
Bx1 	Ix1 
Cx1 	Jx1 
Dx1 	Kx8  M8*20
Ex5 	Lx6  M8*25
Fx1 	Mx4  M5*8
Gx1 	Ox1 