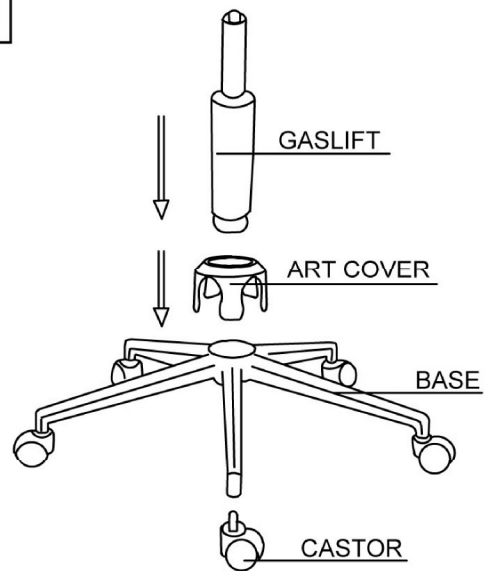


# ASSEMBLY INSTRUCTION

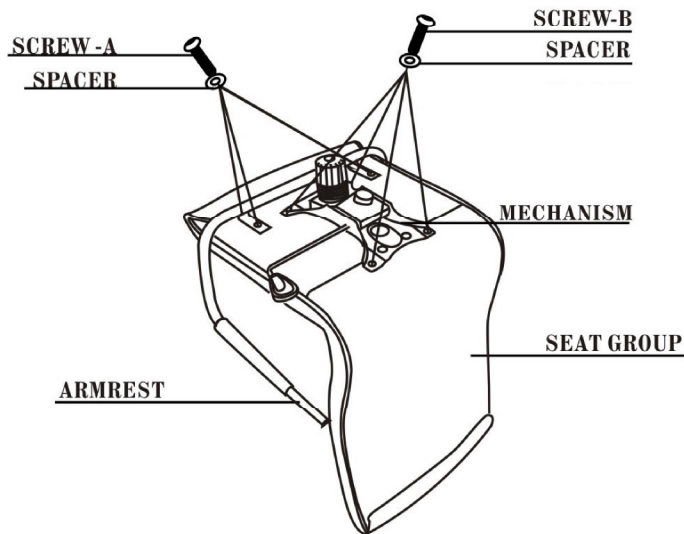
## ▽ PARTS x QTY

### ▽ ASSEMBLY PROGRAM

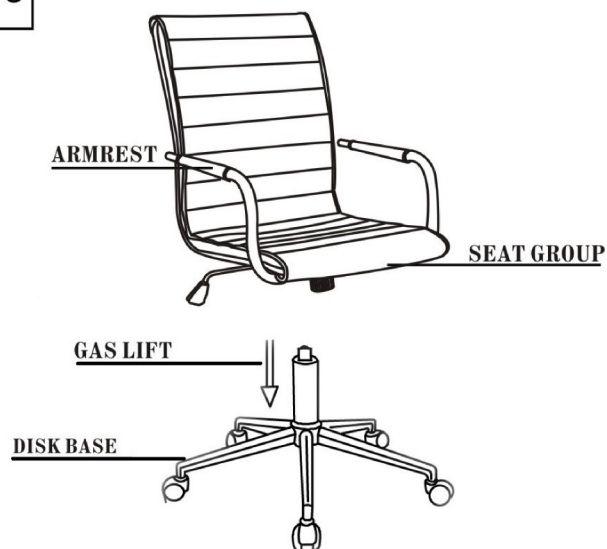
#### STEP 1



#### STEP 2



#### STEP 3



#### FINISH



SEAT GROUP x1



CASTOR x5



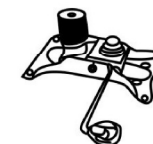
ARMREST x1



SCREW-B ( M6x18mm ) x



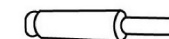
MECHANISM x1



SCREW-A ( M6x20mm ) x4



GAS LIFT x1



SPACER ( M6x18mm ) x8



DISK BASE x1



SPANNER x1



ART COVERx1

