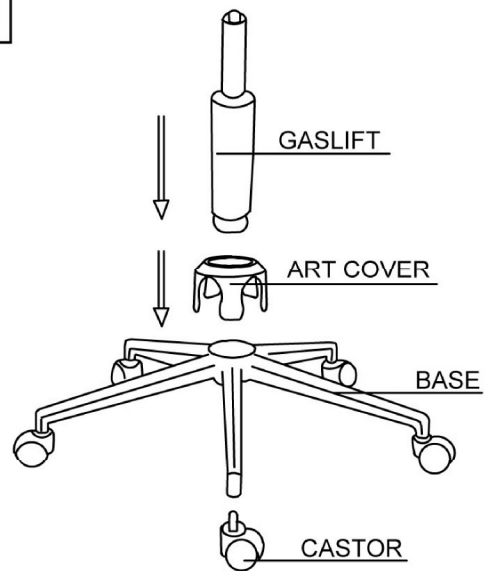


ASSEMBLY INSTRUCTION

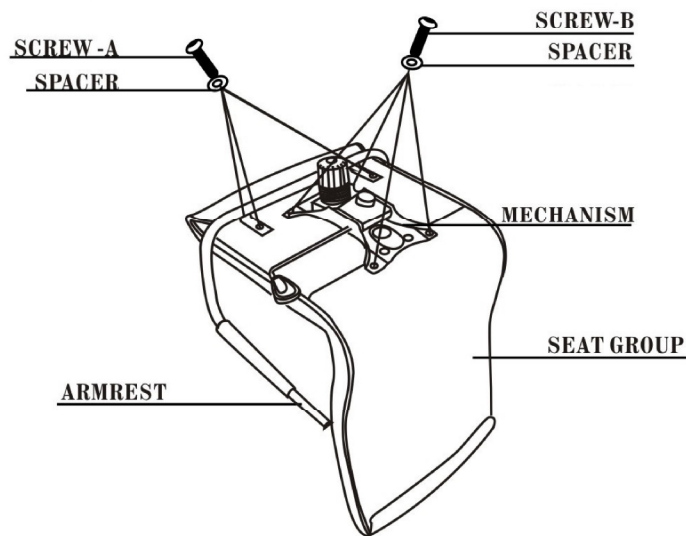
▽ PARTS x QTY

▽ ASSEMBLY PROGRAM

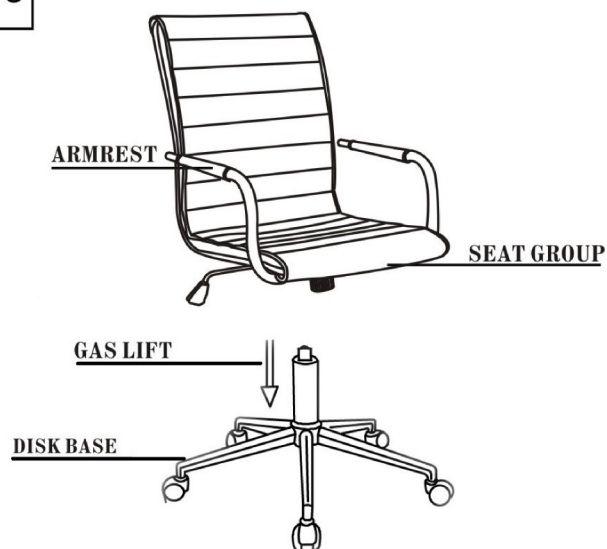
STEP 1



STEP 2



STEP 3



FINISH



SEAT GROUP x1



CASTOR x5



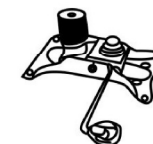
ARMREST x1



SCREW-B (M6x18mm) x



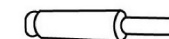
MECHANISM x1



SCREW-A (M6x20mm) x4



GAS LIFT x1



SPACER (M6x18mm) x8



DISK BASE x1



SPANNER x1



ART COVERx1

