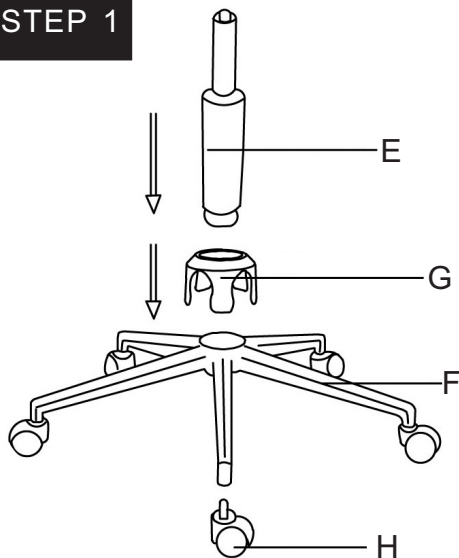


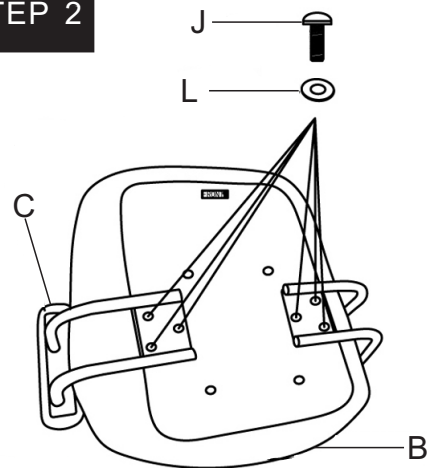
# ASSEMBLY INSTRUCTION

## ASSEMBLY PROGRAM

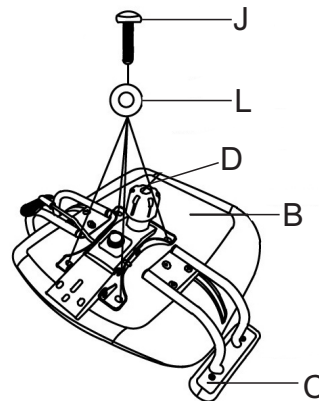
### STEP 1



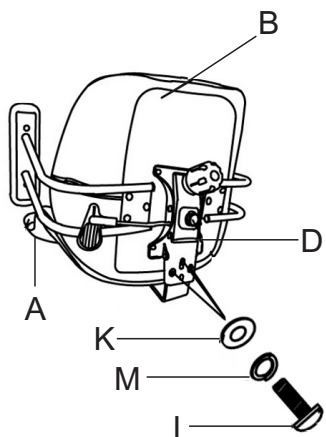
### STEP 2



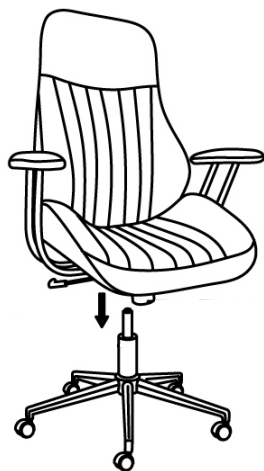
### STEP 3



### STEP 4



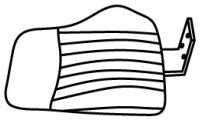





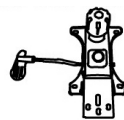



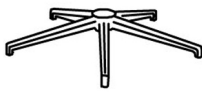

### STEP 5



### FINISH



## PARTS x QTY

A=Backrest x1	H=Caster x5
	
B=Cushion x1	I=Screw(M8X25mm) x3
	
C=Armrest x1	J=Screw(M6X20mm) x10
	
D=Mechanism x1	K=Spacer(M8X17mm) x3
	
E=Gaslift x1	L=Spacer(M6X18mm) x10
	
F=Base x1	M=Spacer(M8X13mm) x3
	
G=Art Cover x1	N=Spanner x1
