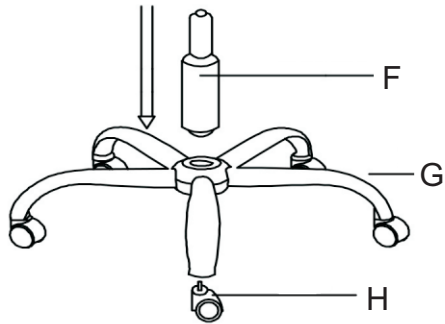


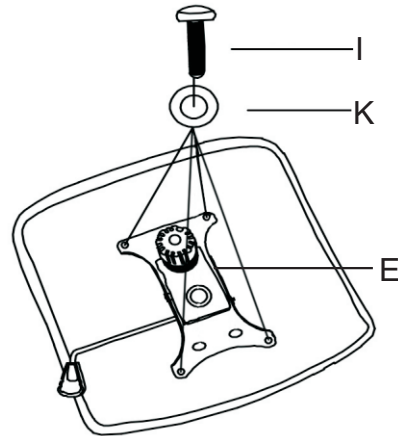
ASSEMBLY INSTRUCTION

ASSEMBLY PROGRAM

STEP 1



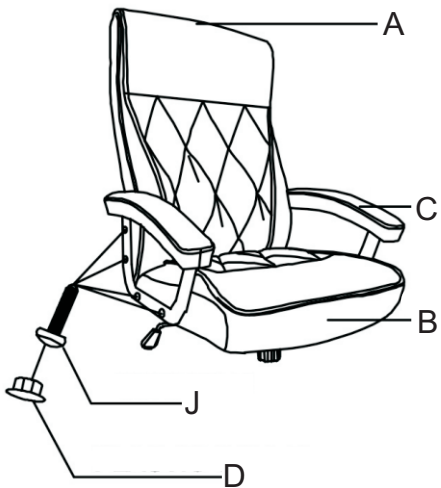
STEP 2



FINISH




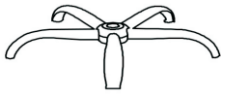






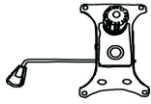



STEP 3



STEP 4



PARTS x QTY

| | |
|---|---|
| A=Backrest x1 | G=Base x1 |
|  |  |
| B=Cushion x1 | H=Castor x5 |
|  |  |
| C=Armrest x2 | I=Screw(M6X20mm) x4 |
|  |  |
| D=Plastic Cover x8 | J=Screw(M6X25mm) x8 |
|  |  |
| E=Mechanism x1 | K=Spacer(M6X18mm) x4 |
|  |  |
| F=Gaslift x1 | L=Spanner x1 |
|  |  |