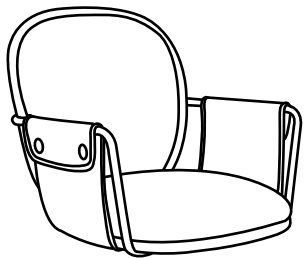
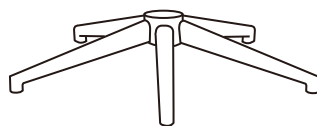


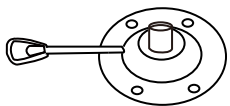
Ax1



Ex1



Bx1



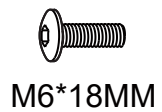
Fx5



Cx1



Gx4



M6*18MM

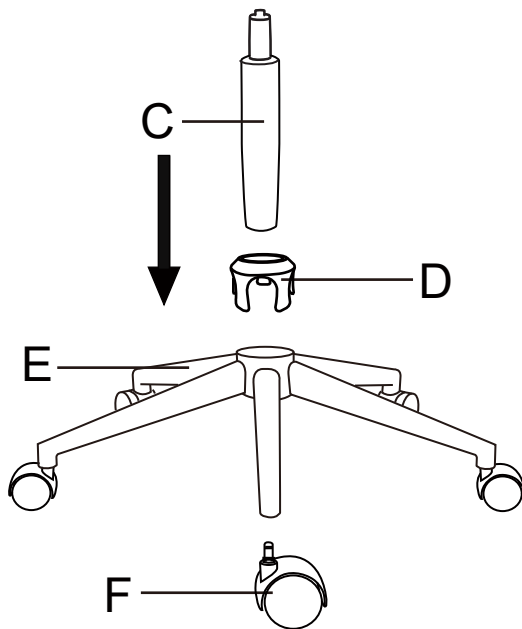
Dx1



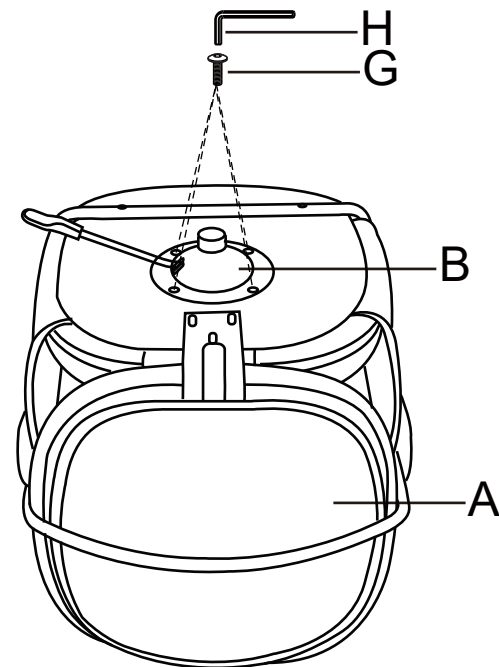
Hx1



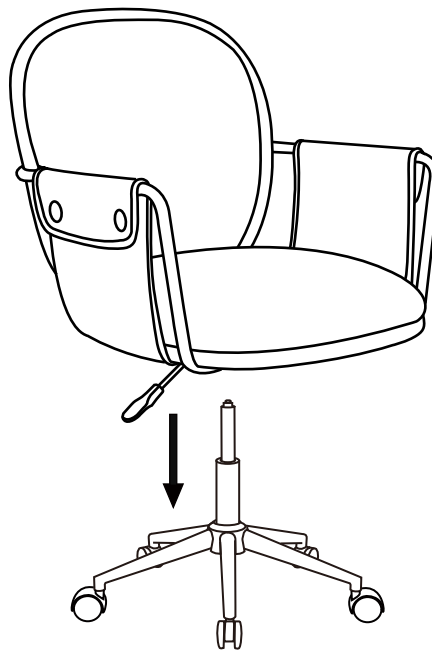
①



②



③



④

