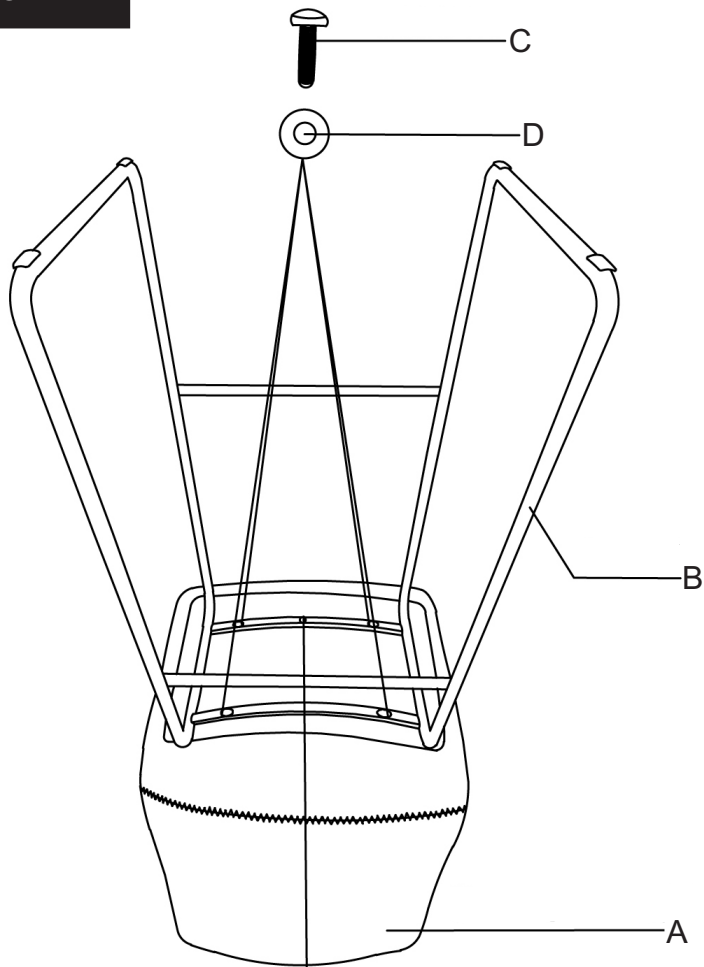


ASSEMBLY INSTRUCTION

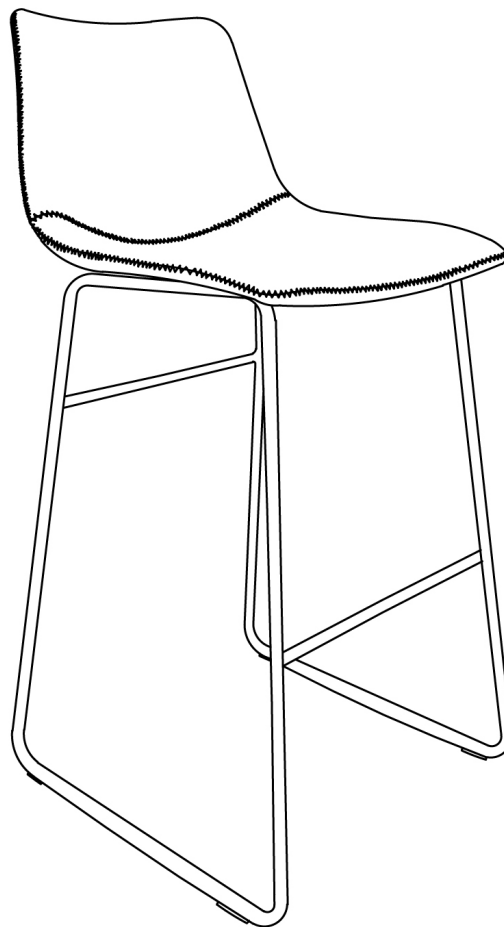
ASSEMBLY PROGRAM

STEP 1



turn over the frame, this part is the front frame

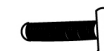
FINISH



PARTS x QTY

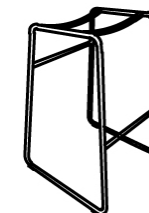
A=Seat Group x1

C=Screw(M6X25mm) x4



B=Hob x1

D=Spacer(M6X18mm) x4



E=Spanner

