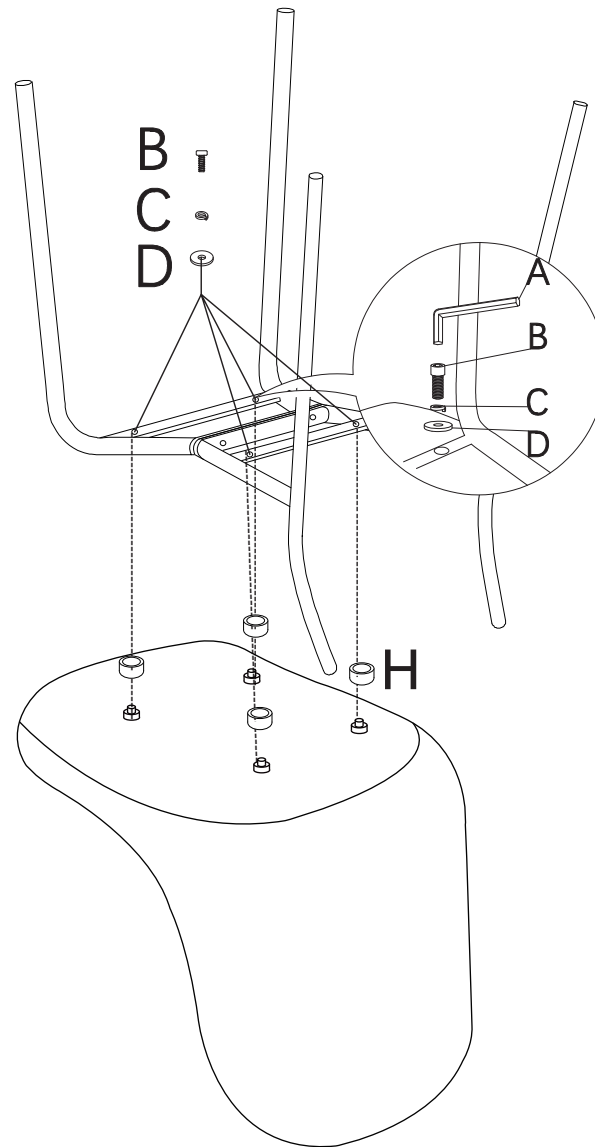
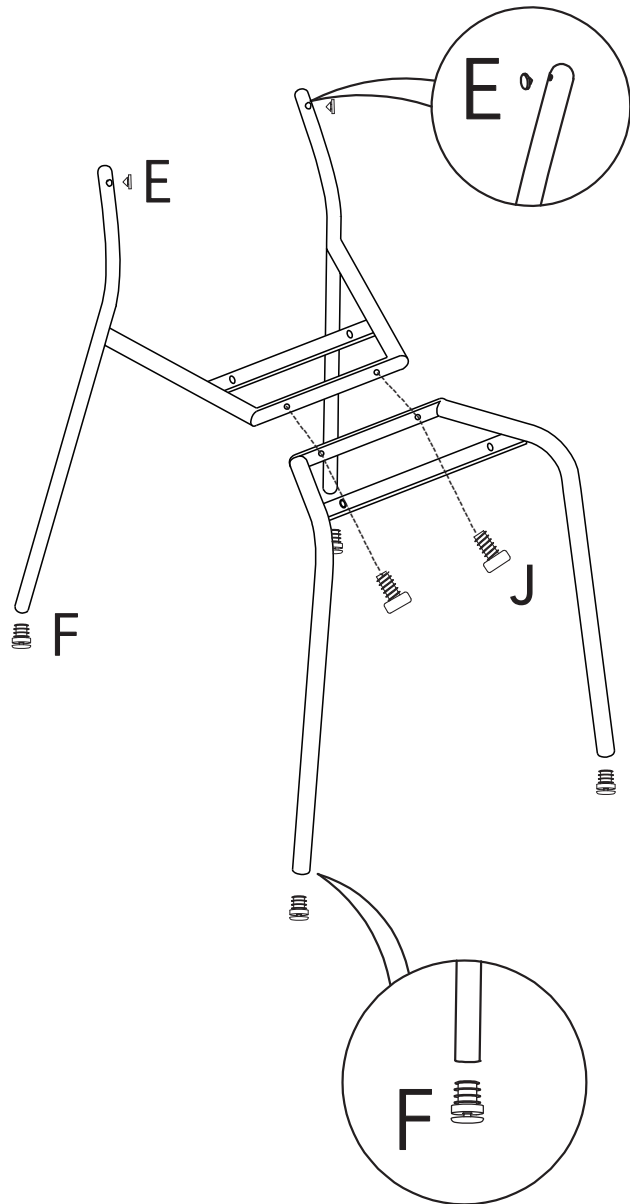
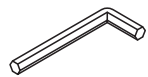


ASSEMBLY INSTRUCTION



A  x1

B  x4

C  x4

D  x4

E  x2

F  x4

J  x2

H  x4