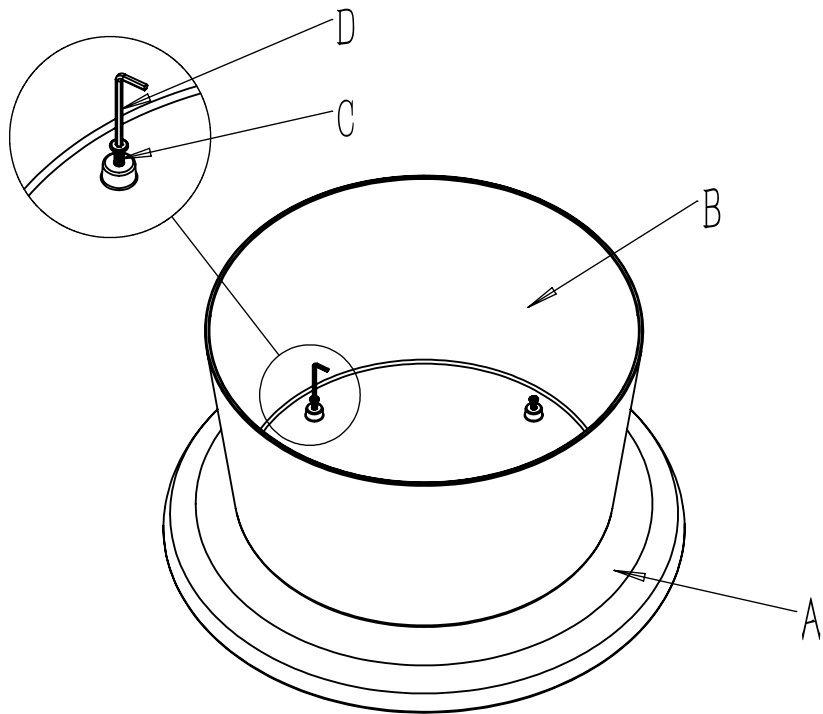
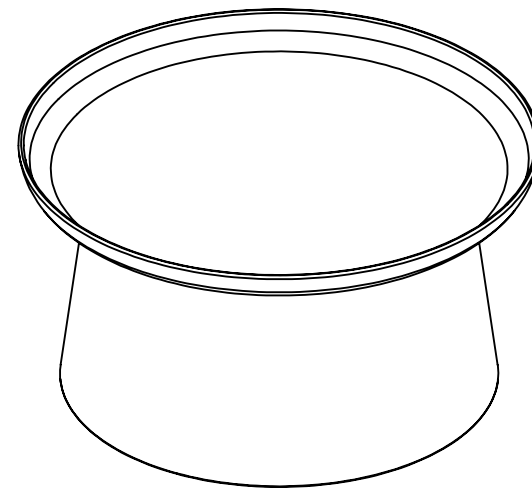


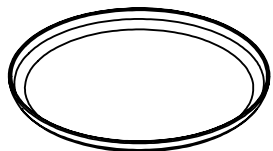
1



2

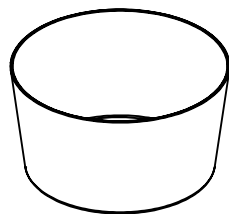


A



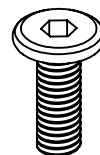
x 1

B



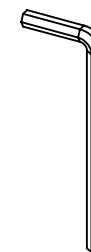
x 1

C



x 4

D



x 1