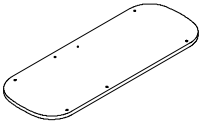
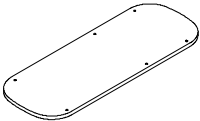
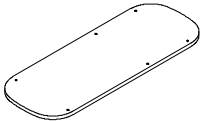
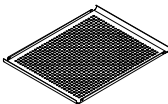

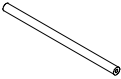




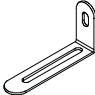

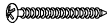

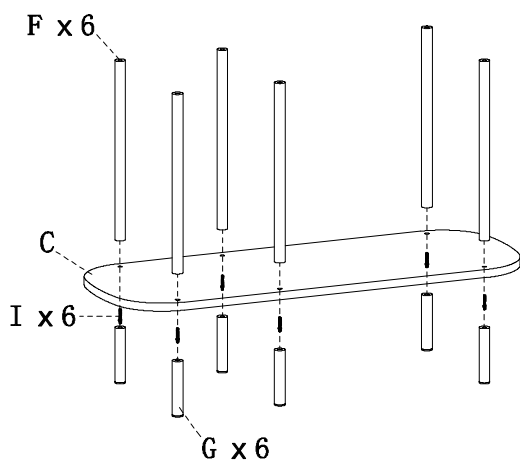
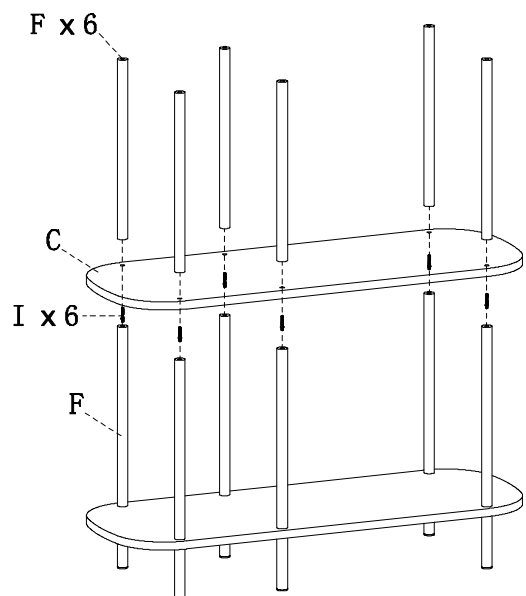


800x300mm  A x 1	800x300mm  B x 1	800x300mm  C x 2	420x327mm  D x 1	220x327mm  E x 2	$\phi 19 \times 330$ mm  F x 18	$\phi 19 \times 100$ mm  G x 6
$\phi 19 \times 30$ mm  H x 6	M6x50mm  I x 22	M6x35mm  J x 4	 K x 1	$\phi 4 \times 14$ mm  L x 13	$\phi 4 \times 32$ mm  M x 1	 N x 1

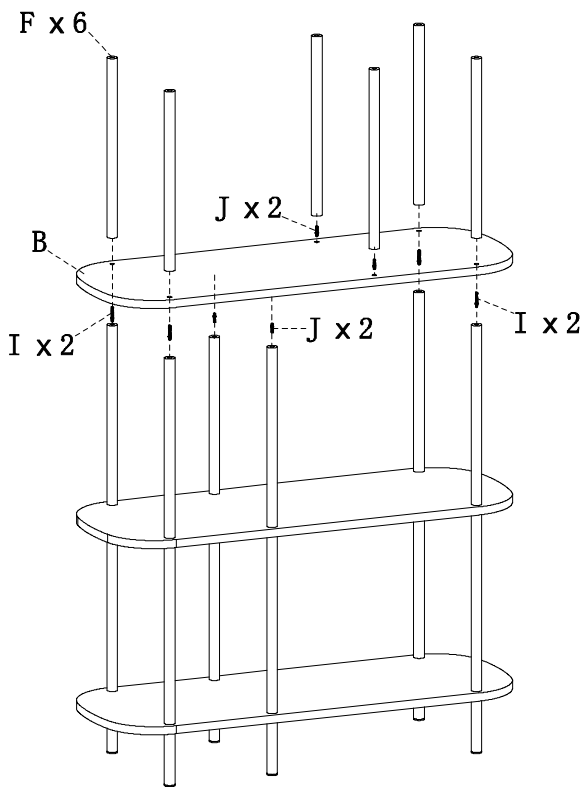
1



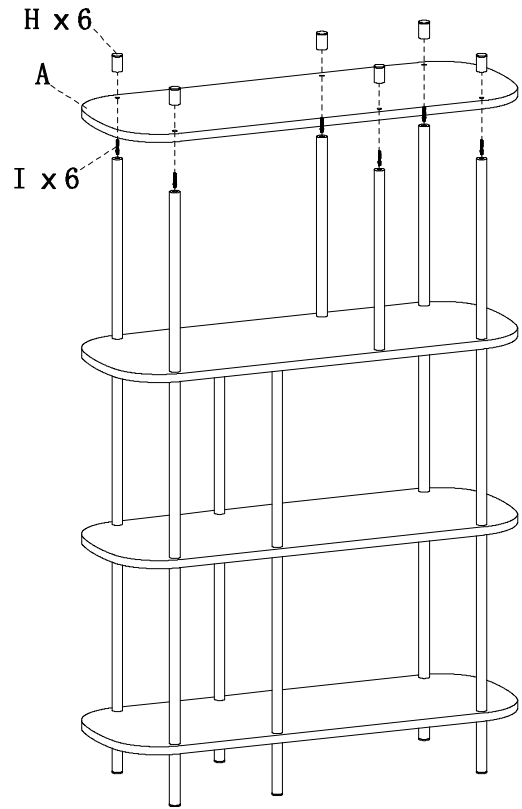
2



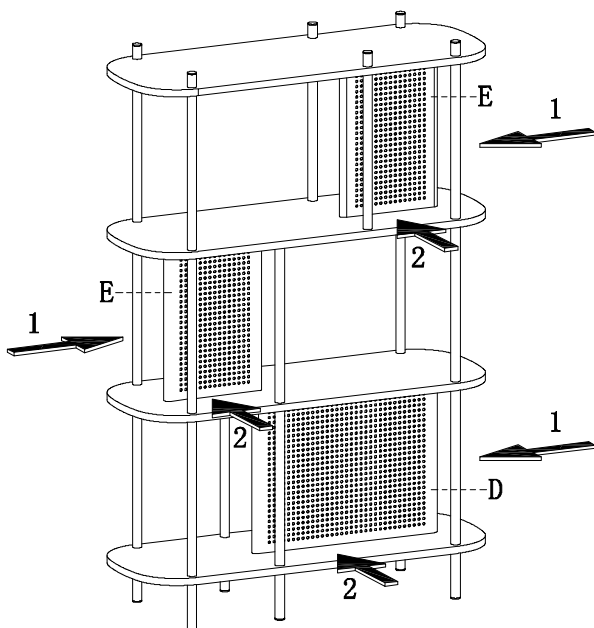
3



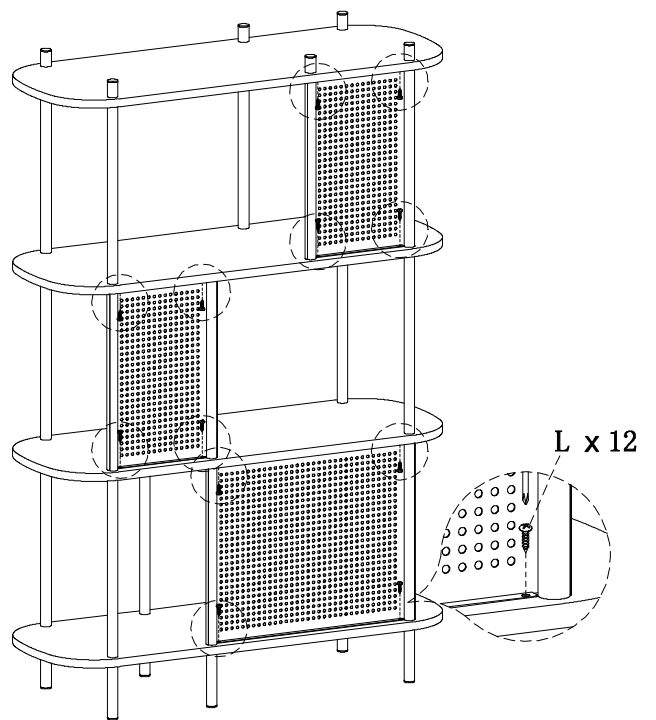
4



5



6



7

