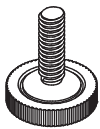
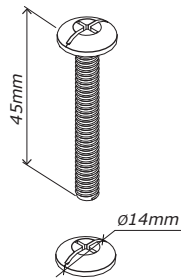


BU4619



P34
x4



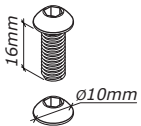
V76
x8



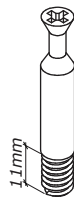
T87
x8



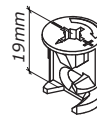
T30
x12



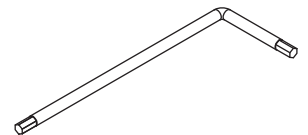
V185
x12



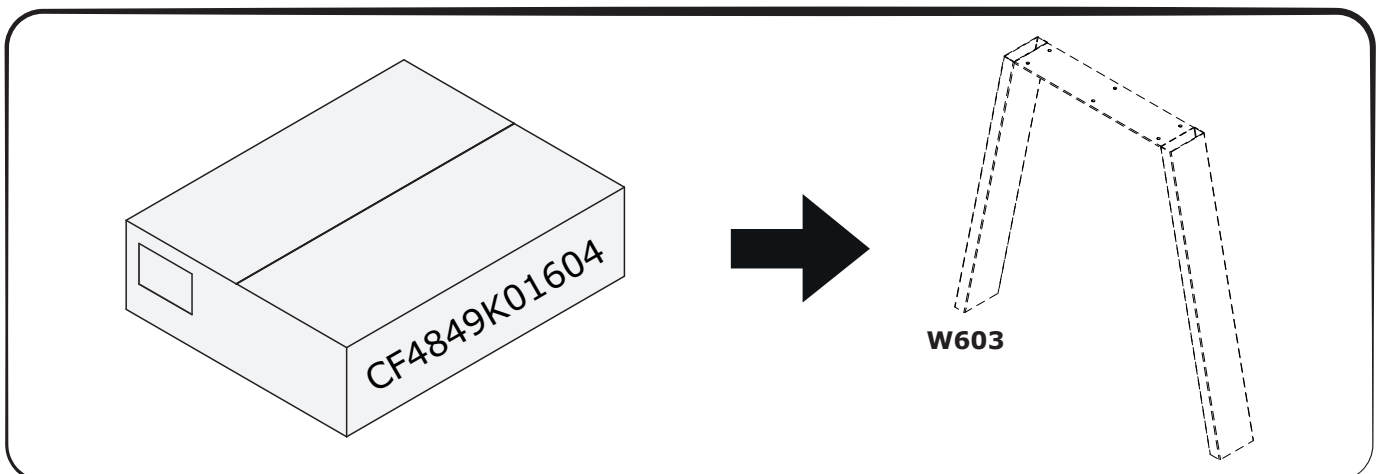
T28
x6

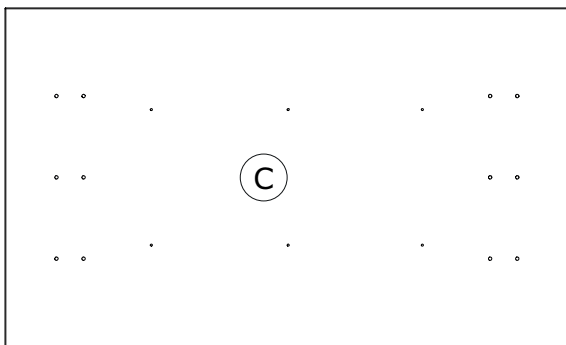
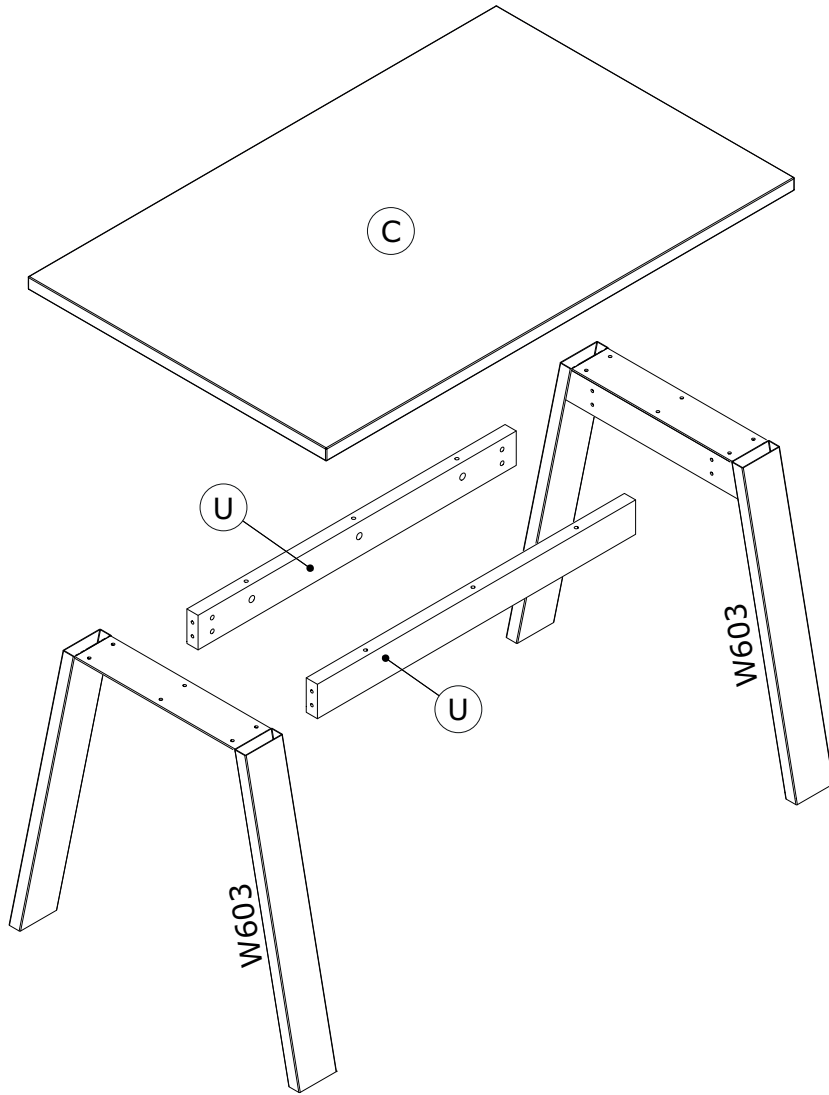


T97
x6

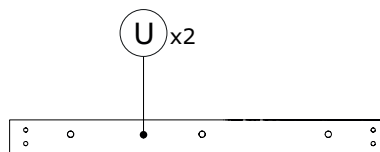


H138
x1



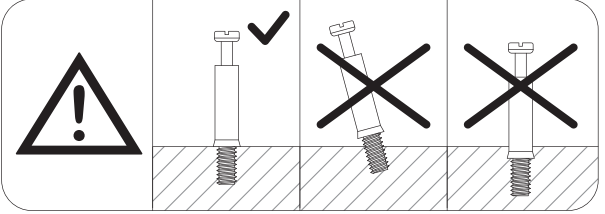
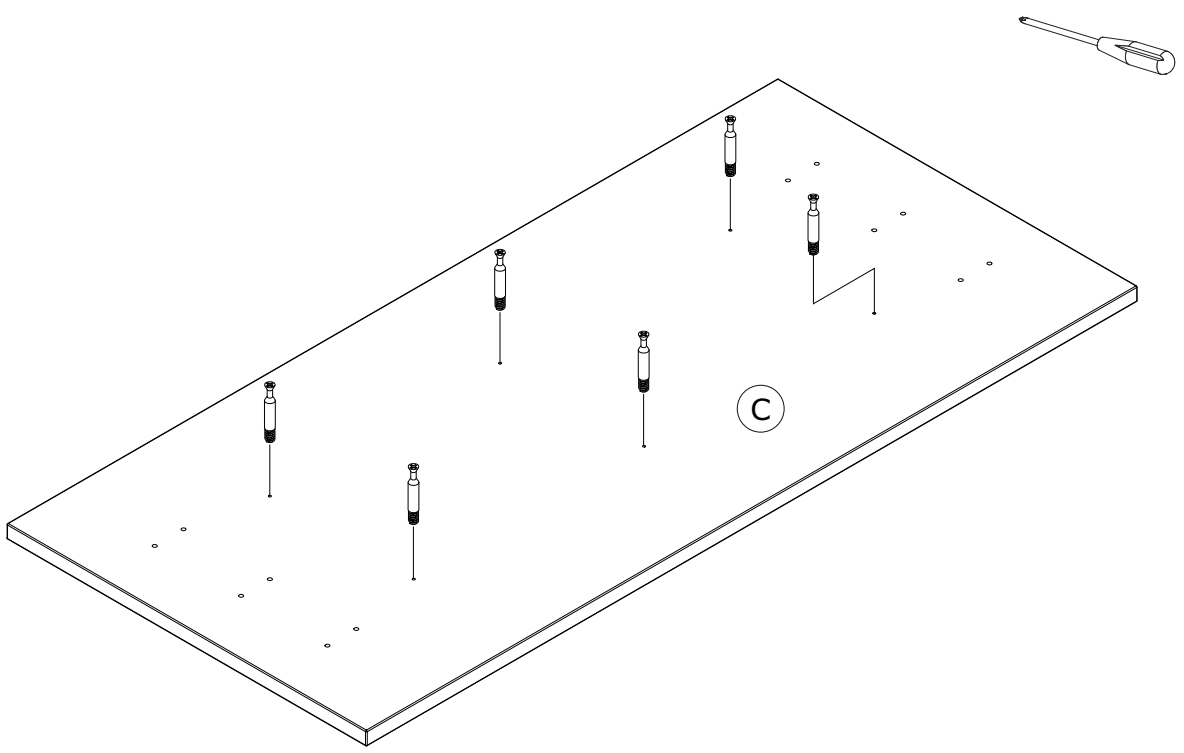
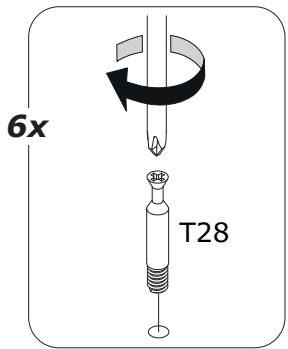


CA3771
1391x800x30mm

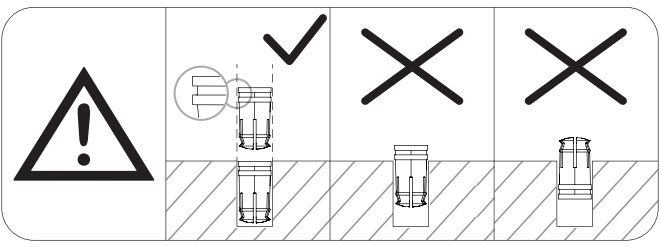
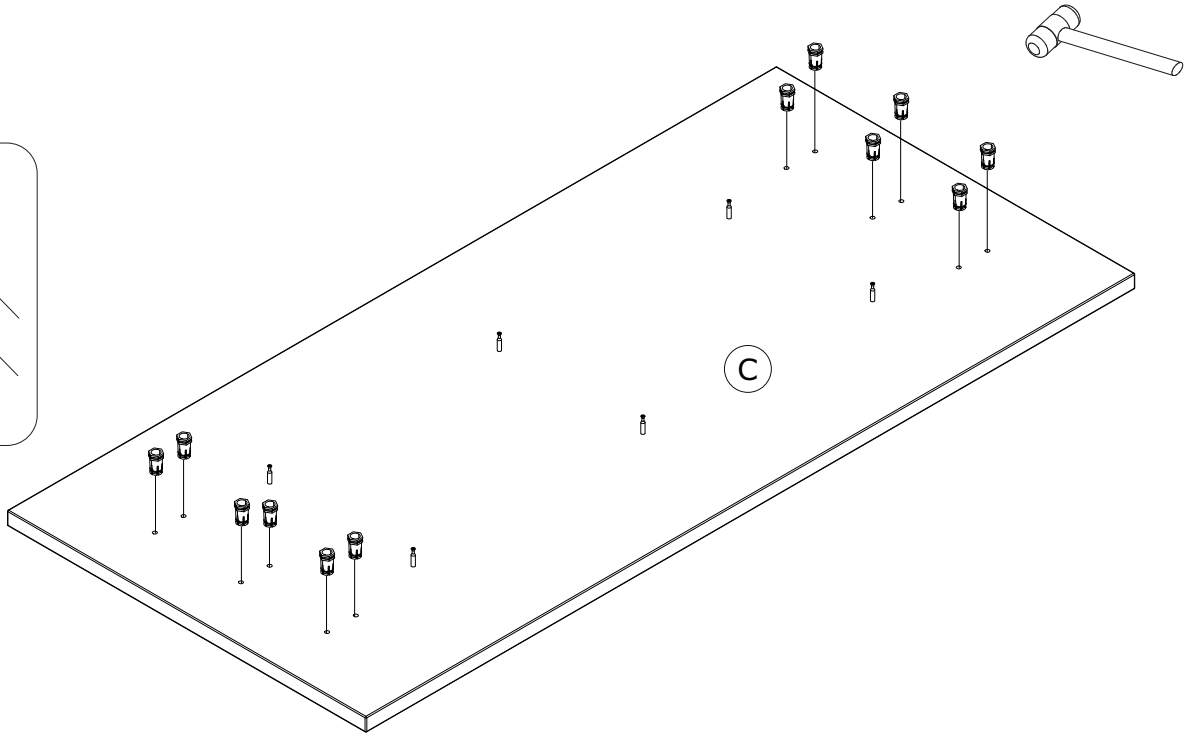
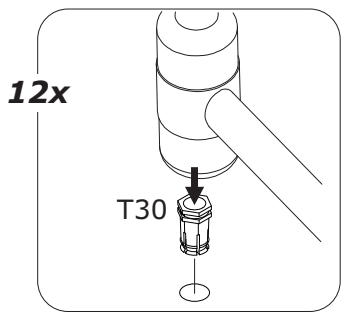


FS4360
992x80x30mm

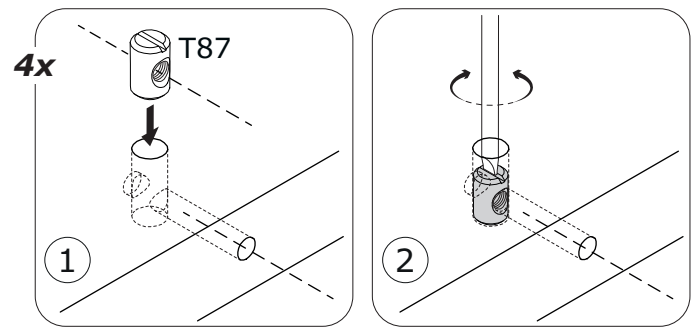
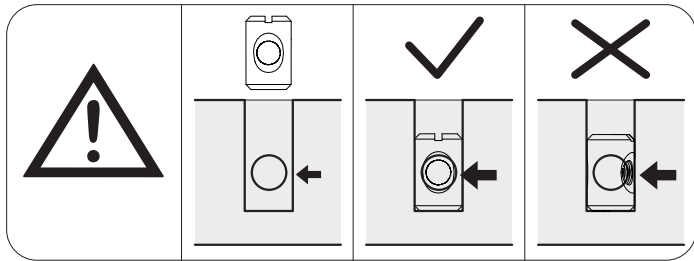
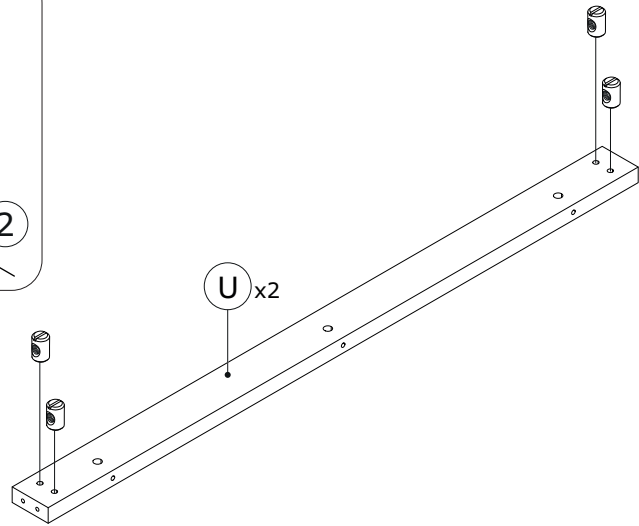
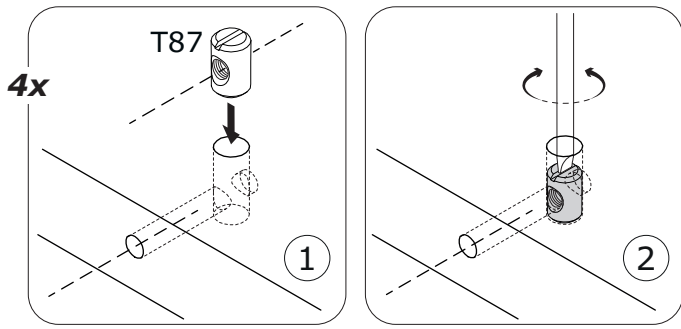
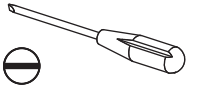
1



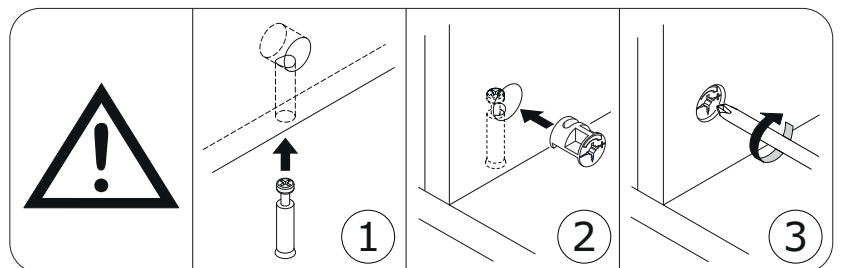
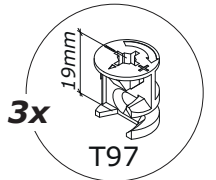
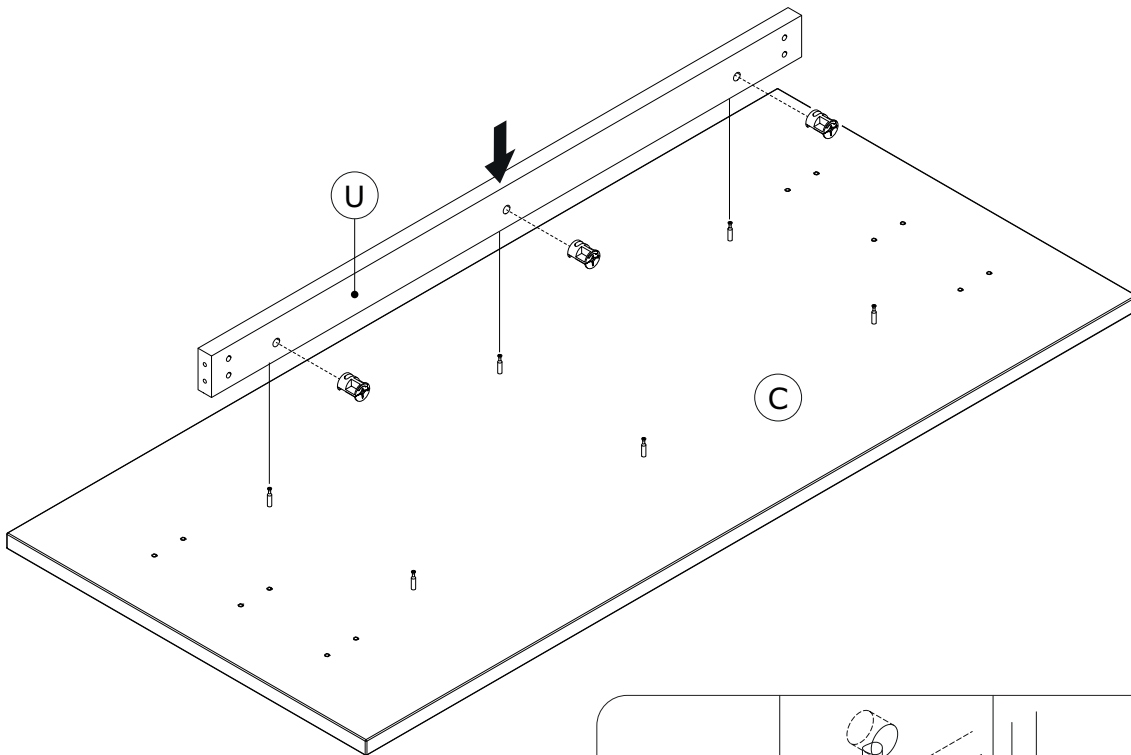
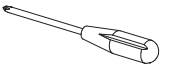
2



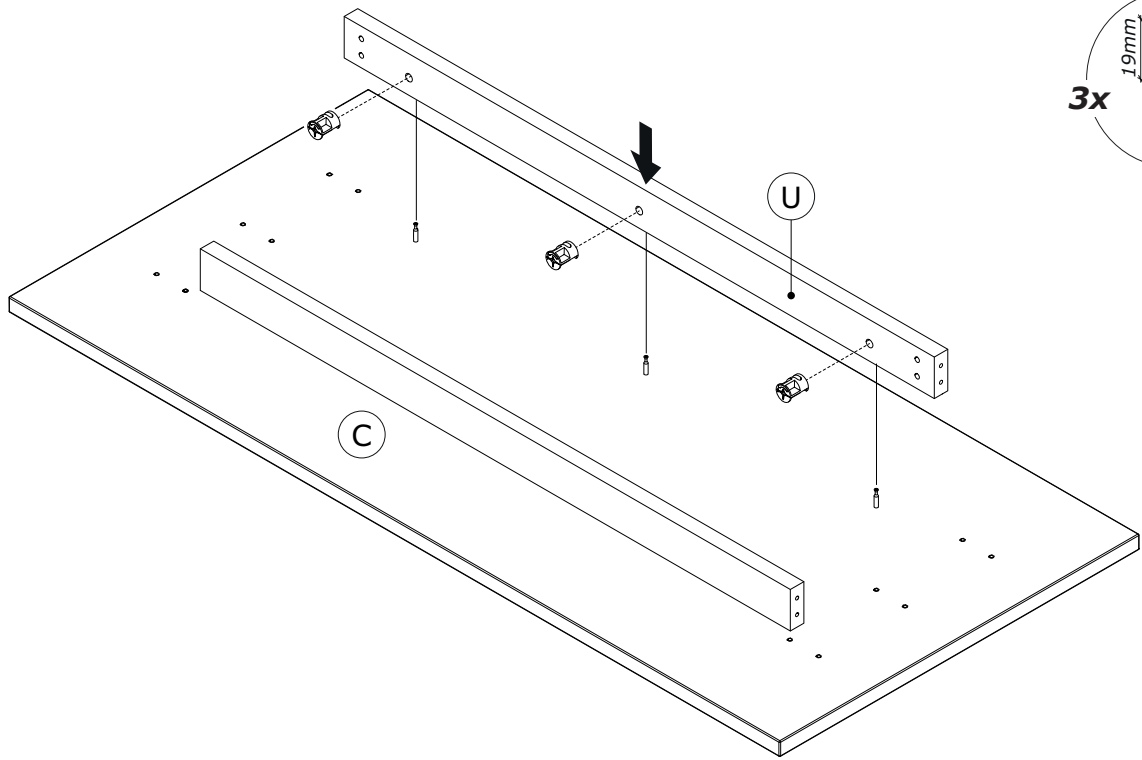
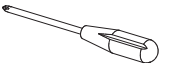
3



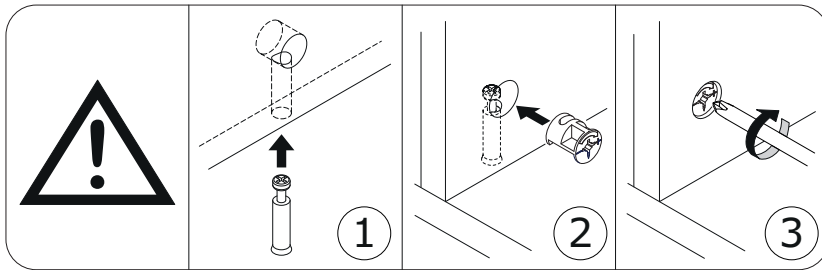
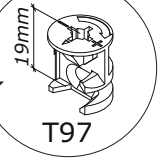
4



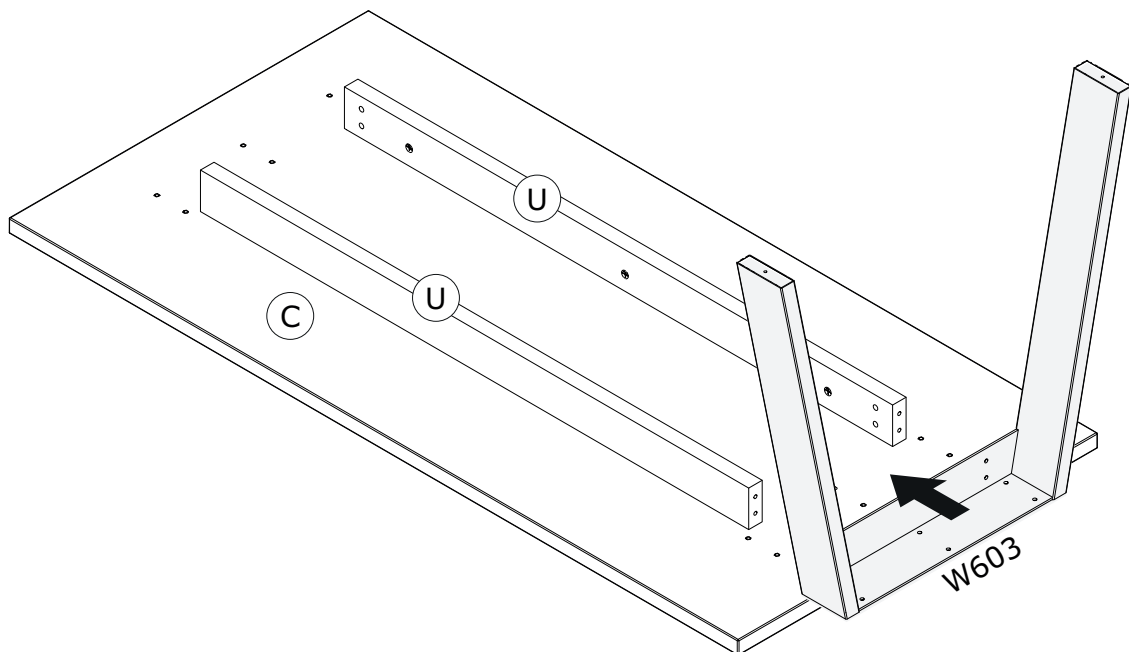
5



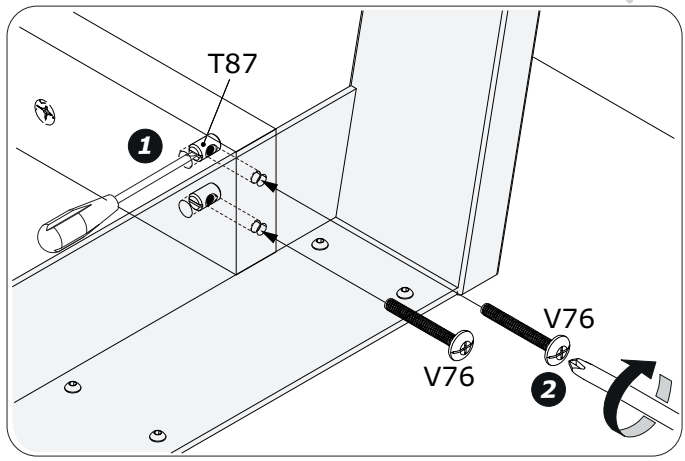
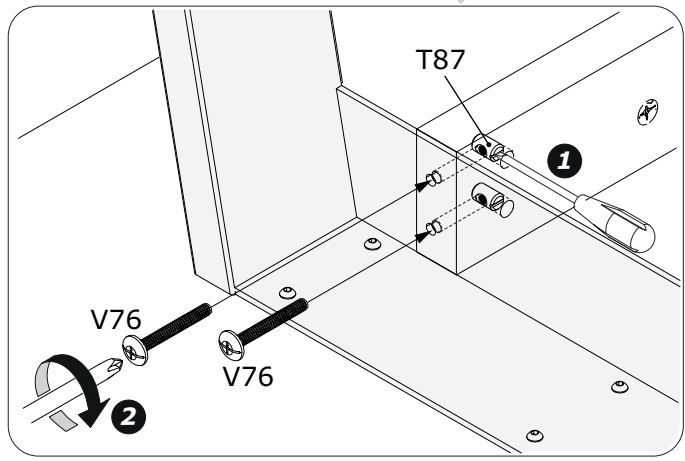
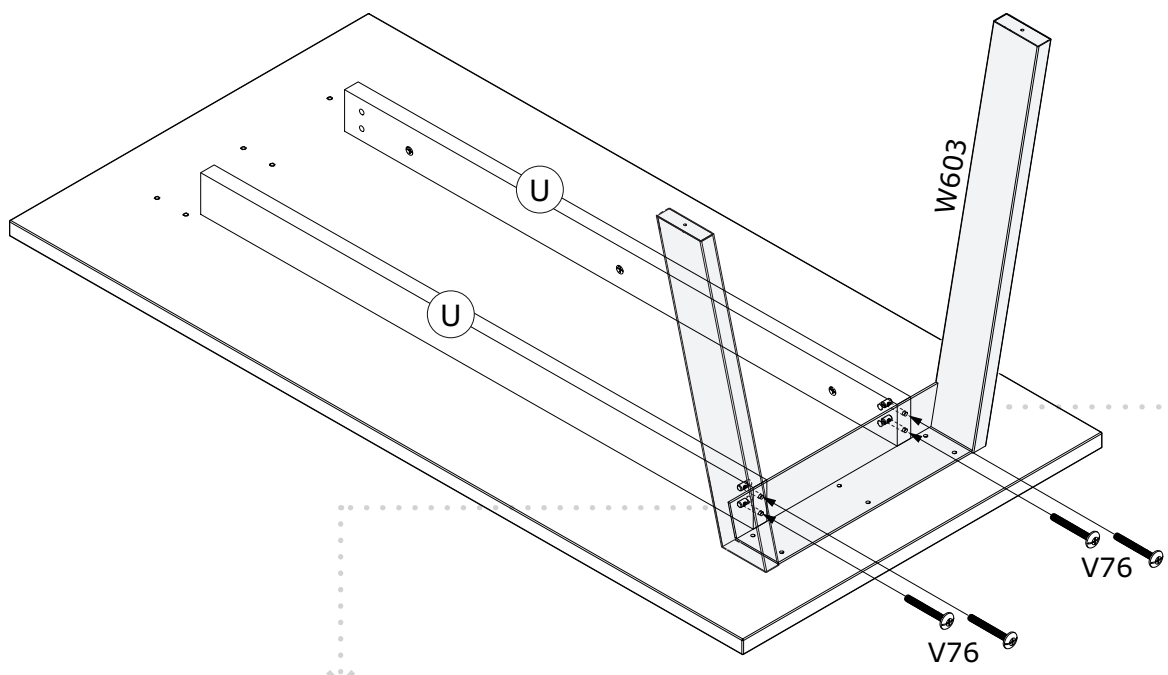
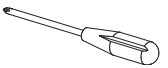
3x



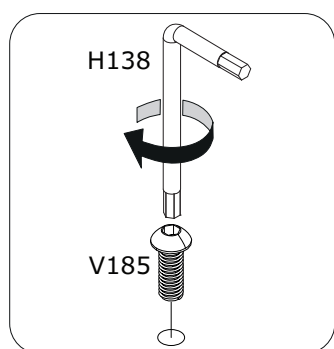
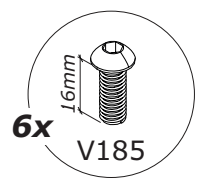
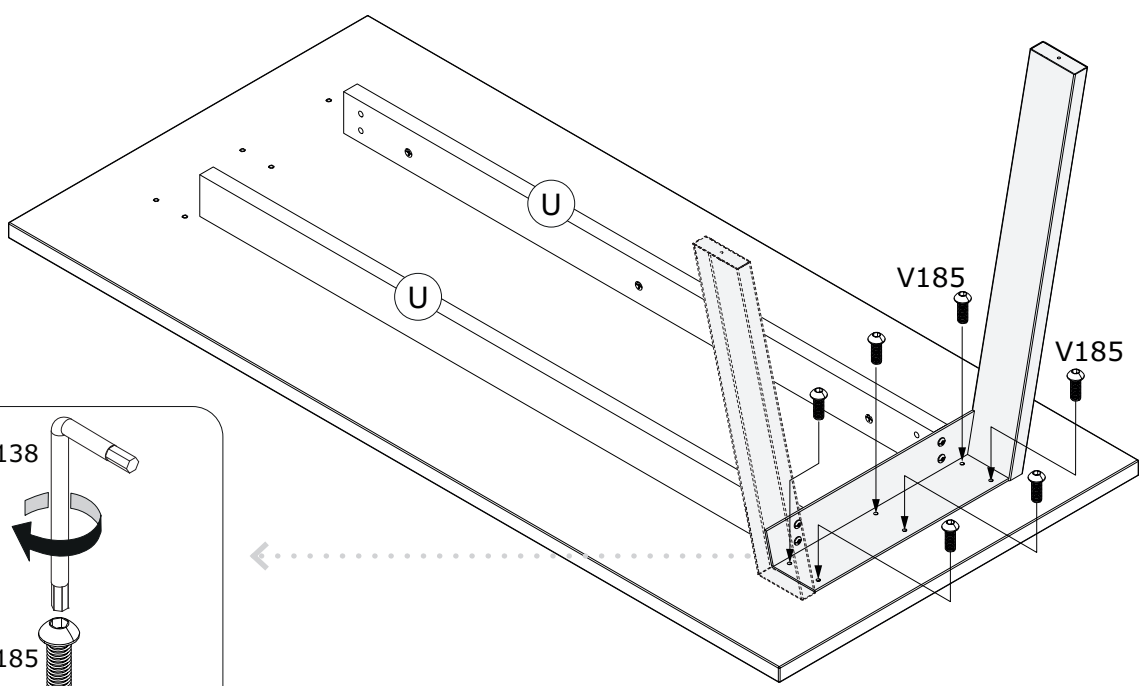
6



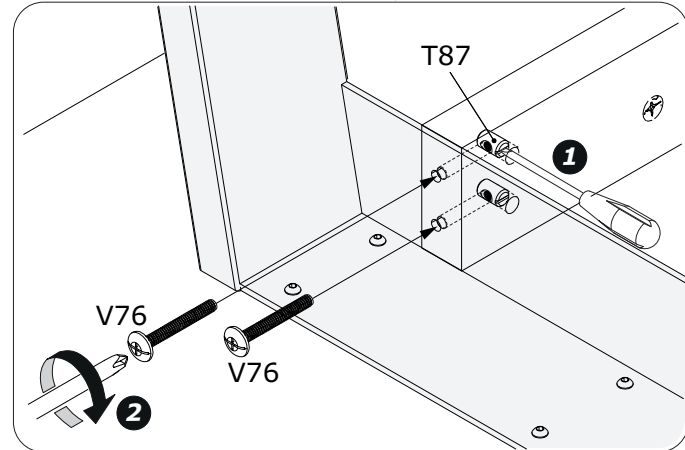
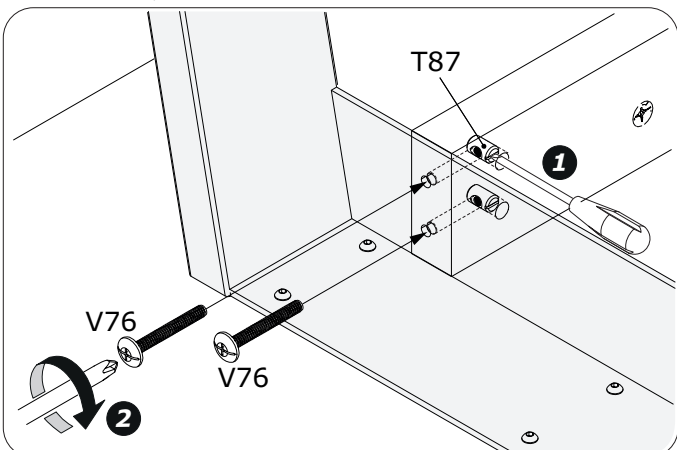
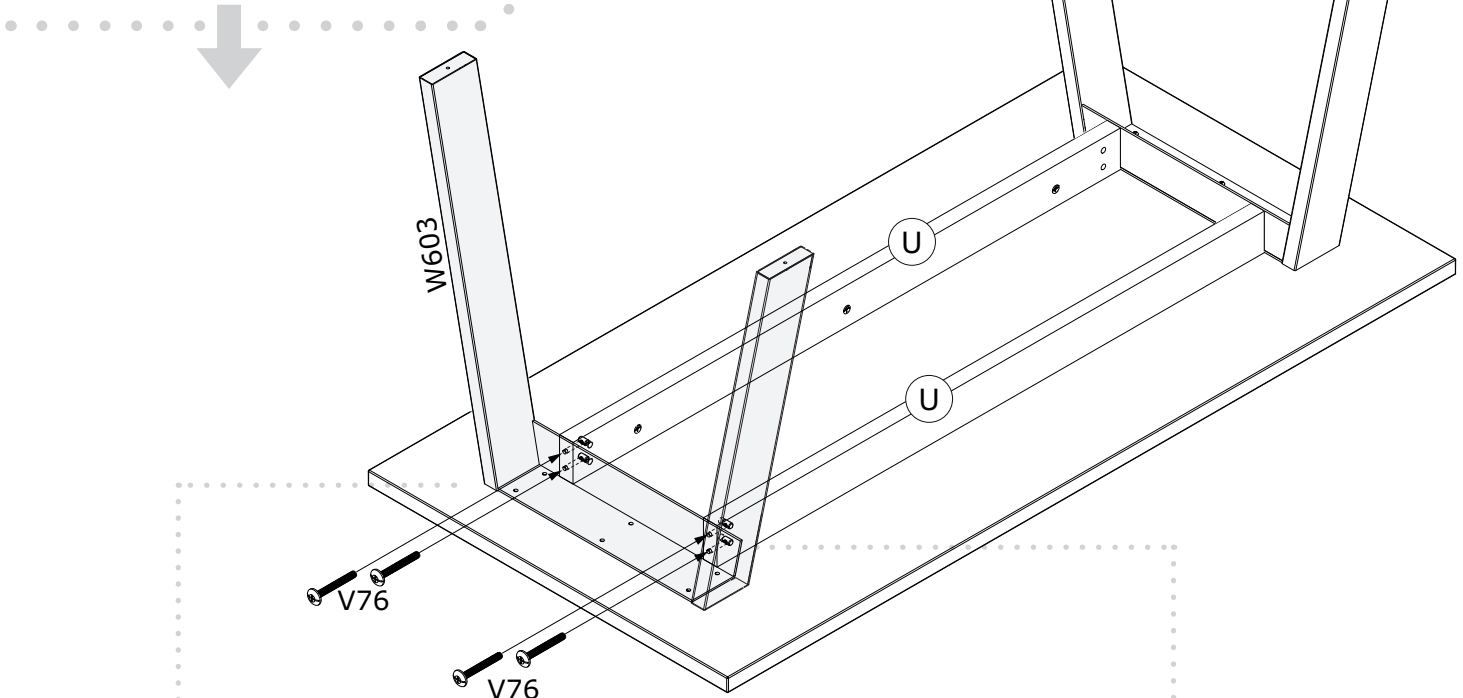
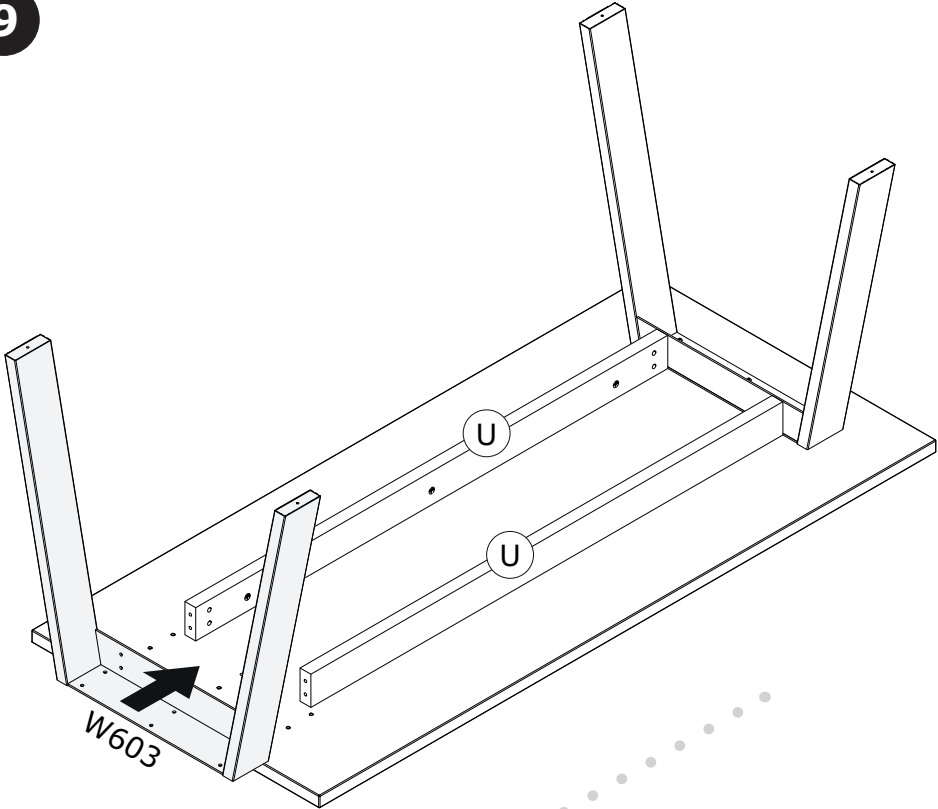
7



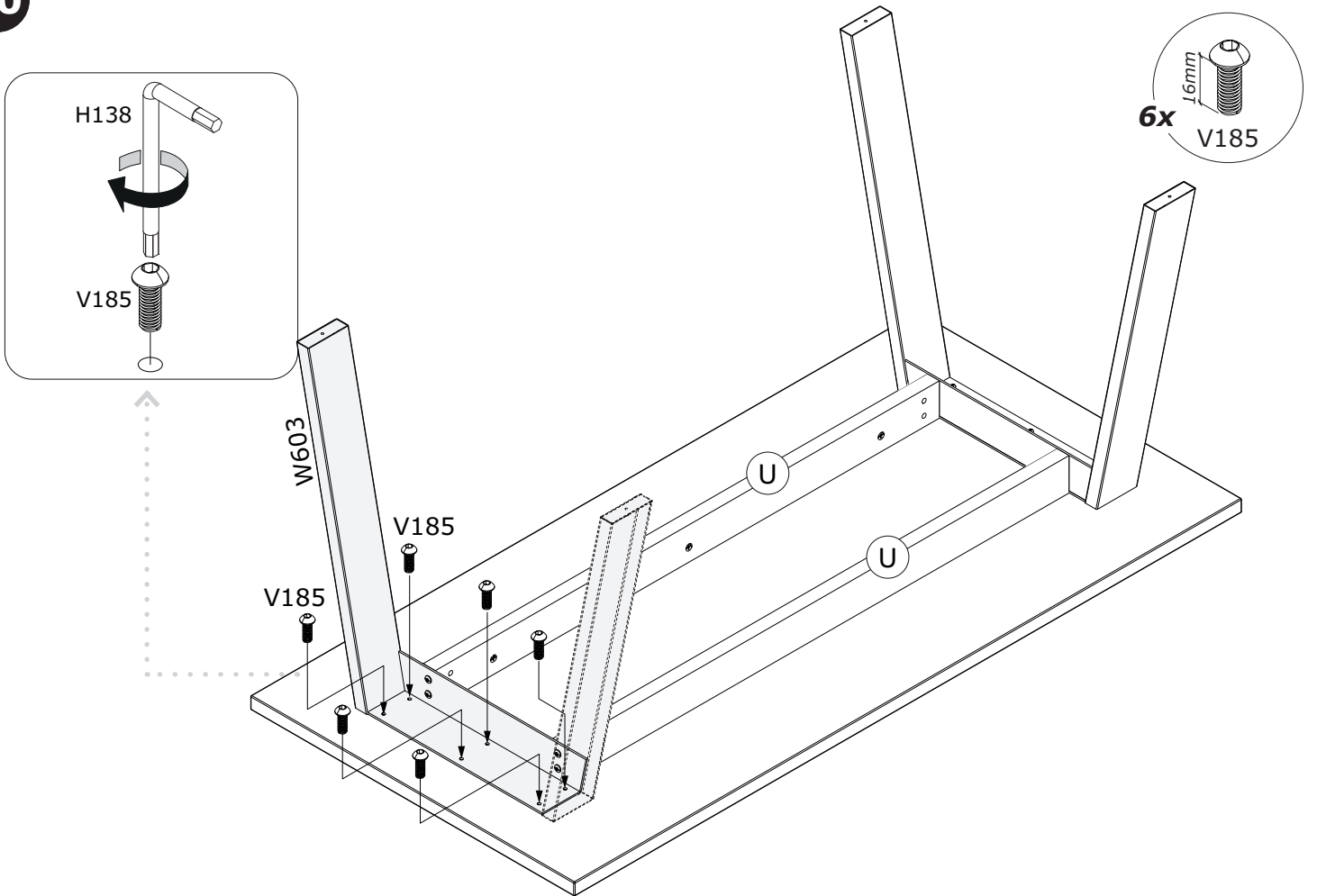
8



9



10



11

