






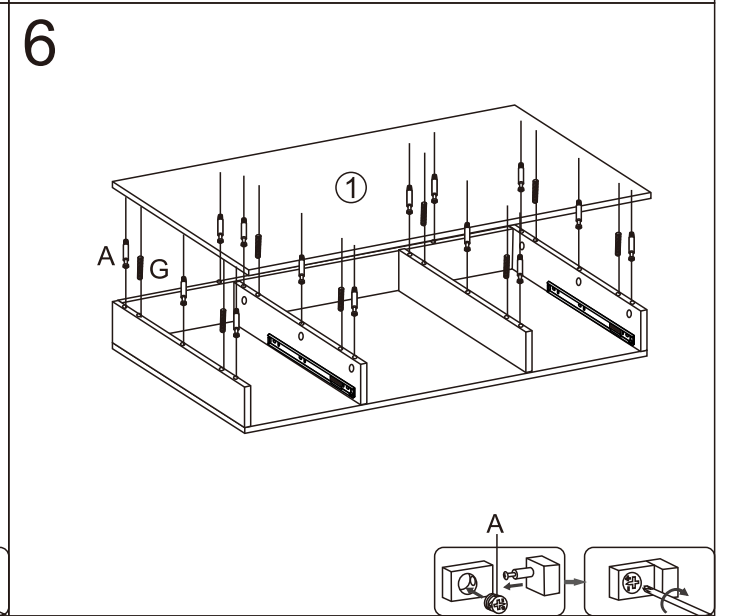
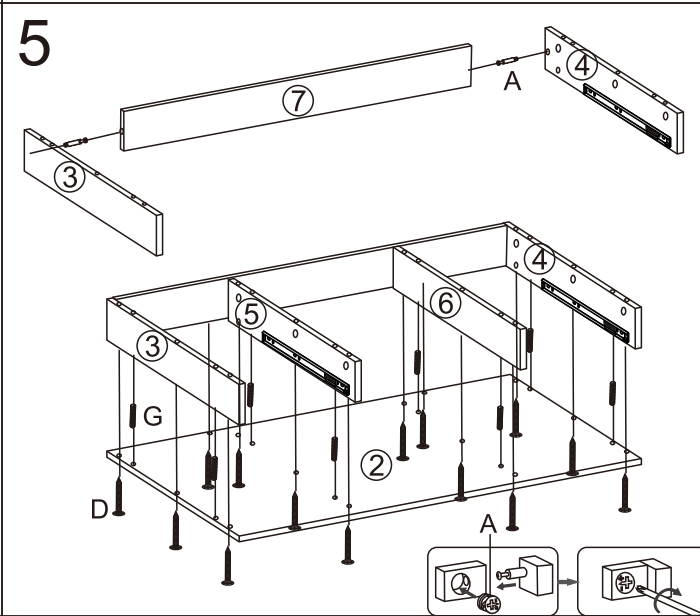
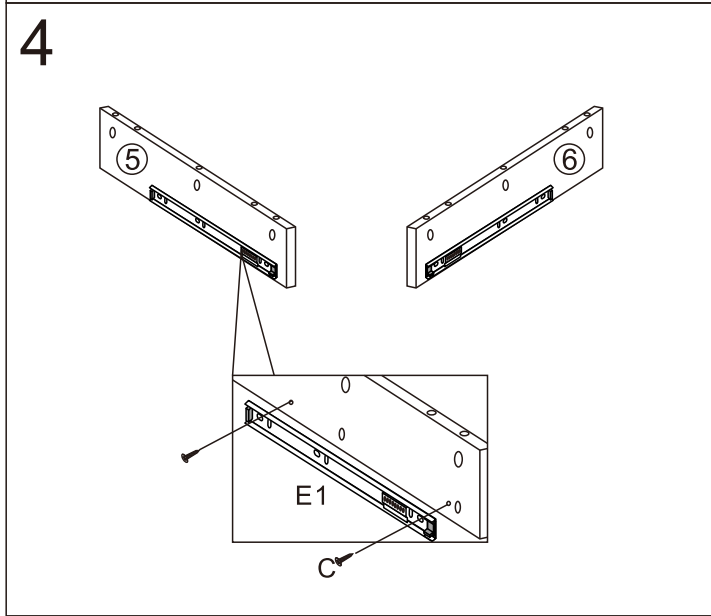
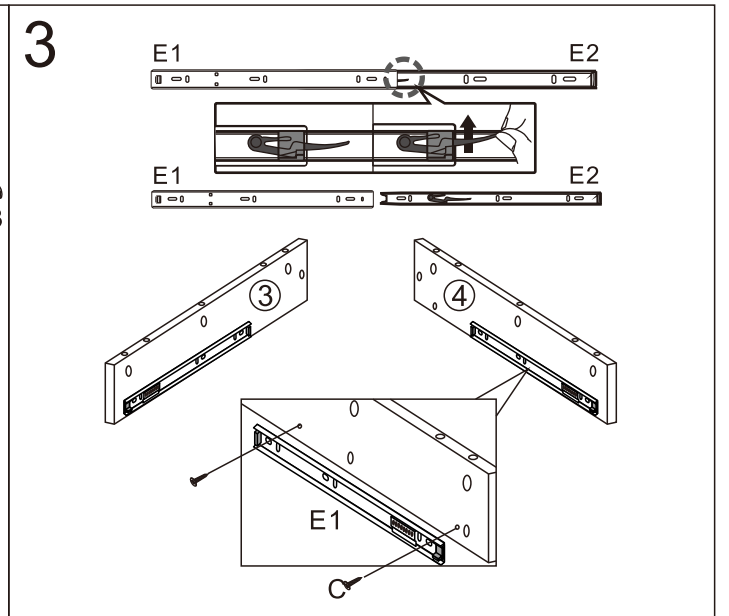
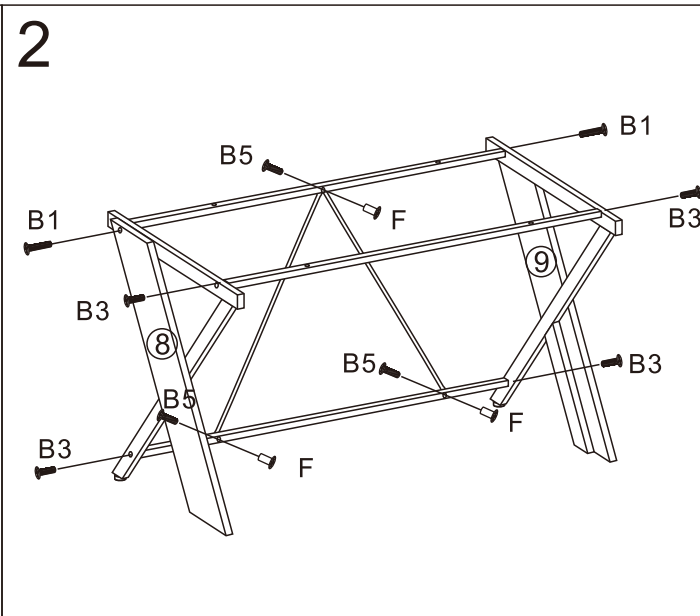
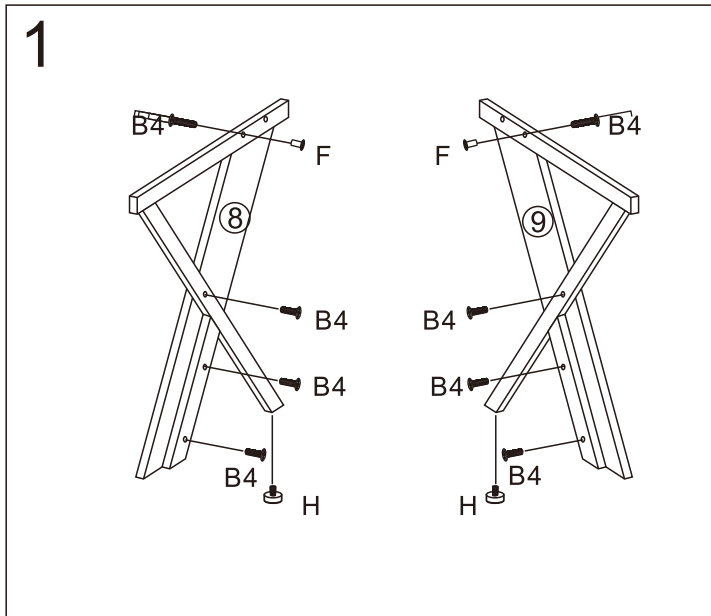



<p>A</p>   <p>20pcs</p>	<p>B1</p>  <p>M6X50mm 2pcs</p>	<p>B2</p>  <p>M6X40mm 4pcs</p>	<p>B3</p>  <p>M6X35mm 4pcs</p>	<p>B4</p>  <p>M6X30mm 12pcs</p>	<p>B5</p>  <p>M6X15mm 3pcs</p>
--	--	---	--	---	--




C



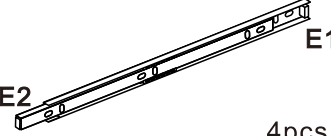
ST3.5X12mm
16pcs

D



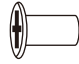
ST5X50mm
22pcs

E




E1
E2
4pcs

F



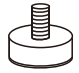
M6mm
5pcs

G



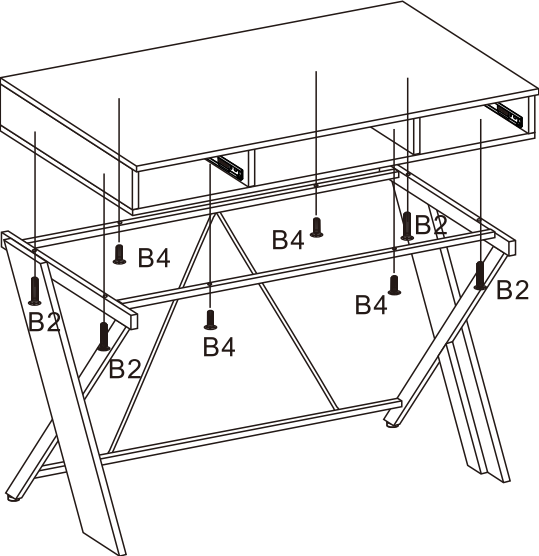
8X30mm
16pcs

H



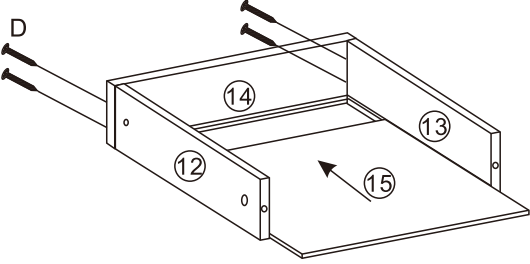
2pcs

7



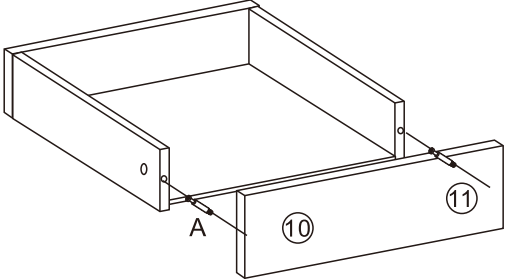
B2
B4

8

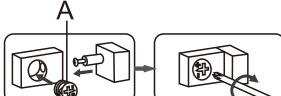


D
12
13
14
15
x2

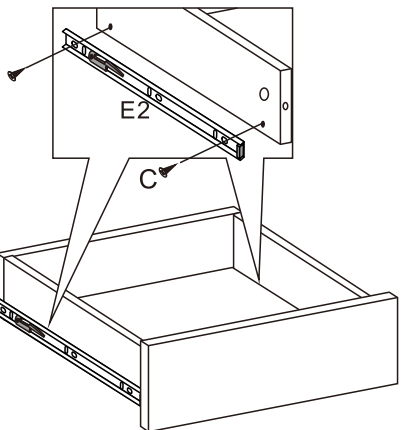
9



A
10
11
x2

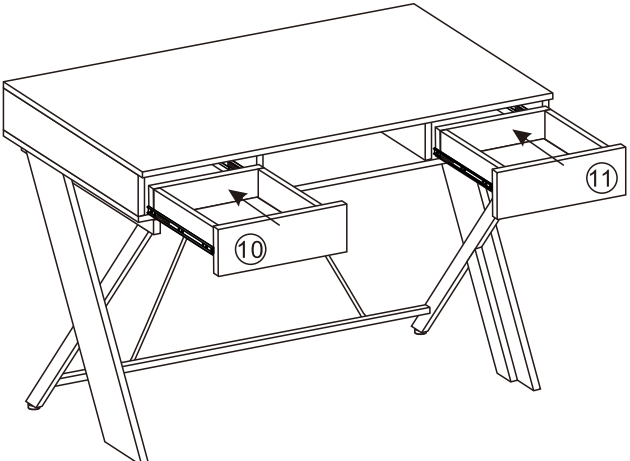


10



E2
C
x2

11



10
11

12

