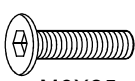


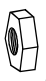


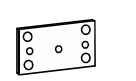
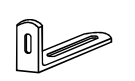
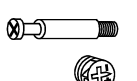
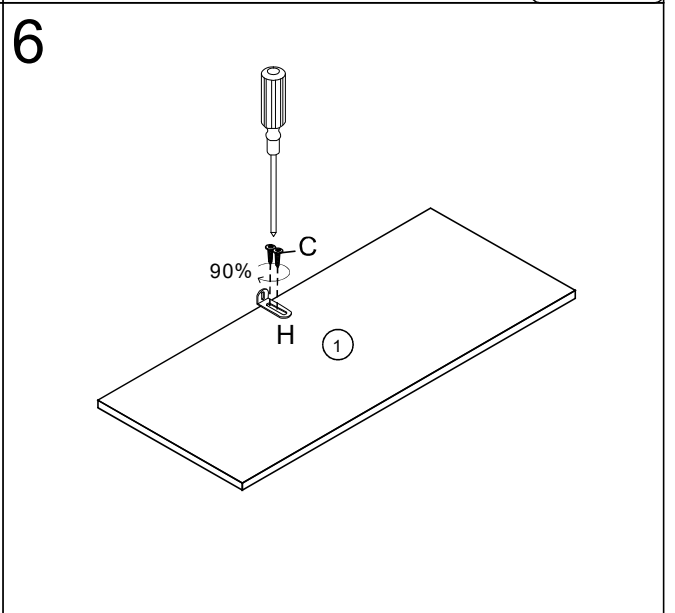
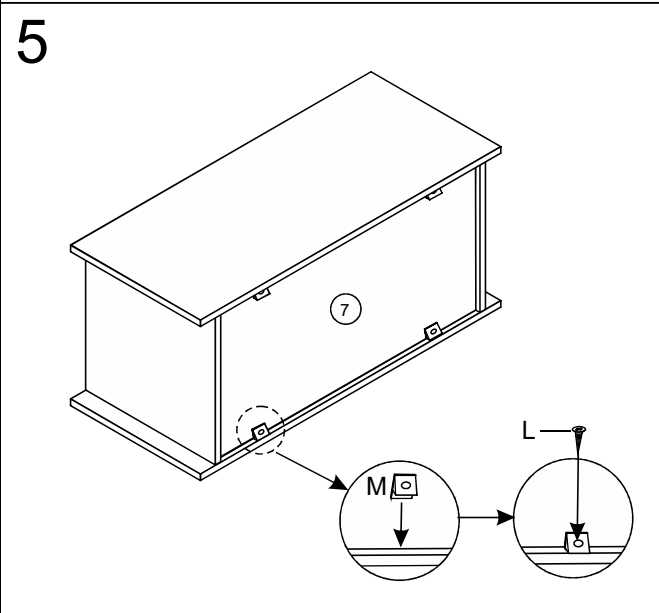
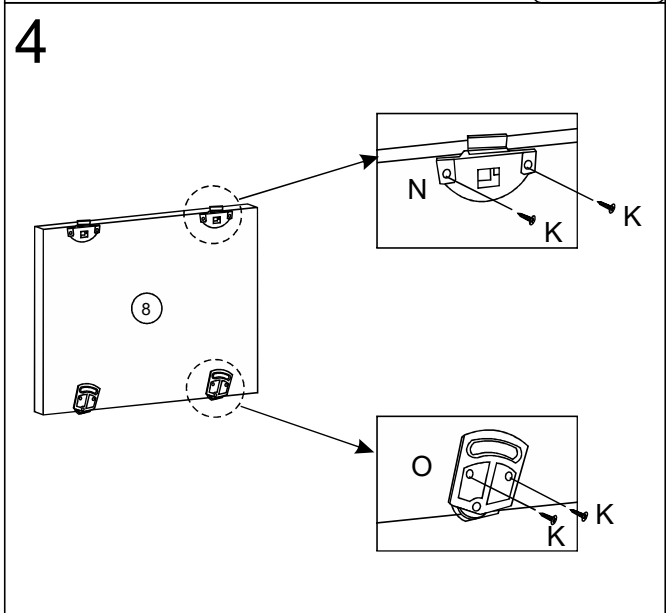
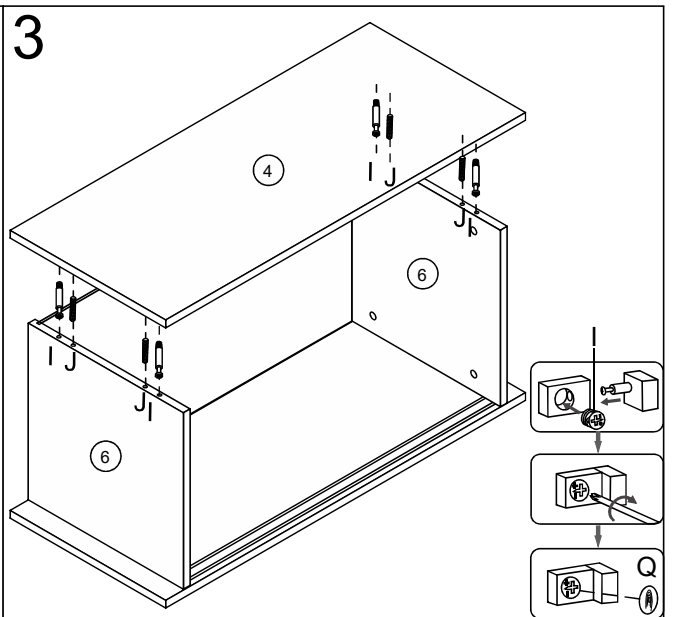
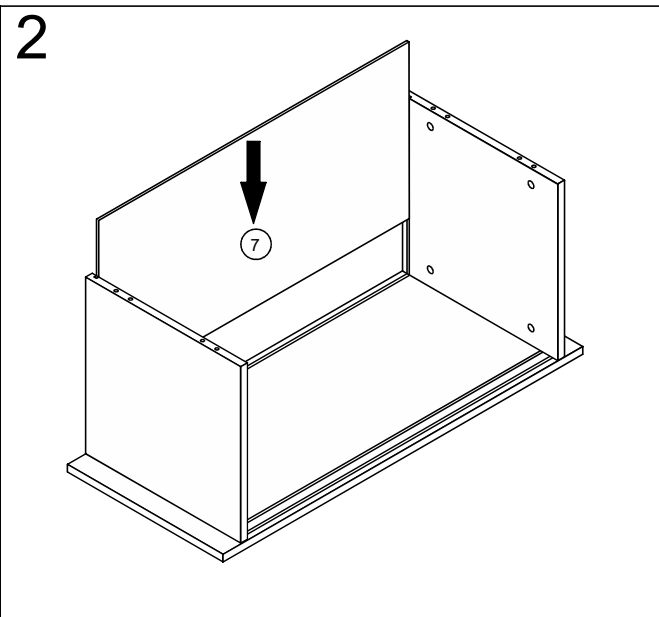
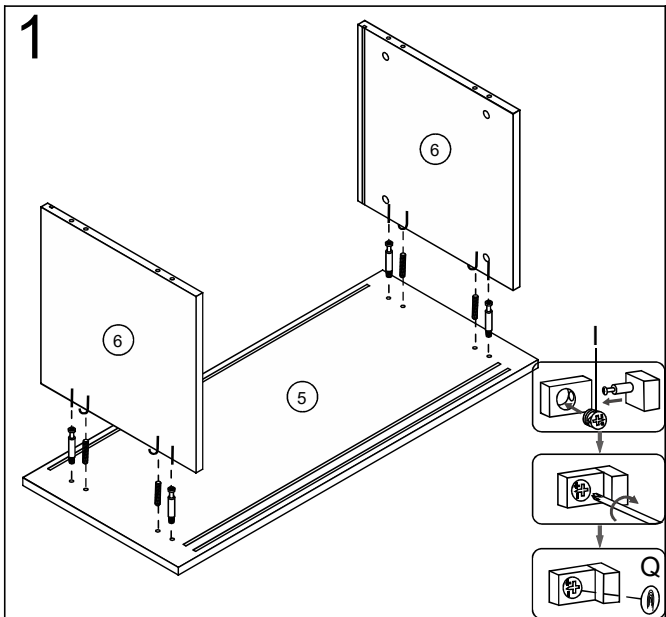


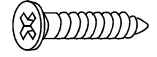




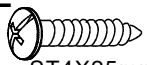



<p>A</p>  <p>M6X25mm 16pcs</p>	<p>B</p>  <p>M6X12mm 8pcs</p>	<p>C</p>  <p>ST4X14mm 5pcs</p>	<p>D</p>  <p>M6mm 4pcs</p>	<p>E</p>  <p>1pc</p>	<p>F</p>  <p>1pc</p>	<p>G</p>  <p>1pc</p>	<p>H</p>  <p>1pc</p>	<p>I</p>  <p>8pcs</p>
--	---	--	--	--	--	--	--	---



J  8X30mm 8pcs	K  ST3X12mm 16pcs	L  ST3.5X18mm 4pcs	M  4pcs	N  4pcs	O  4pcs	P1  1pc	P2  ST4X25mm 1pc	Q  8pcs
---	--	---	---	---	---	---	---	---

