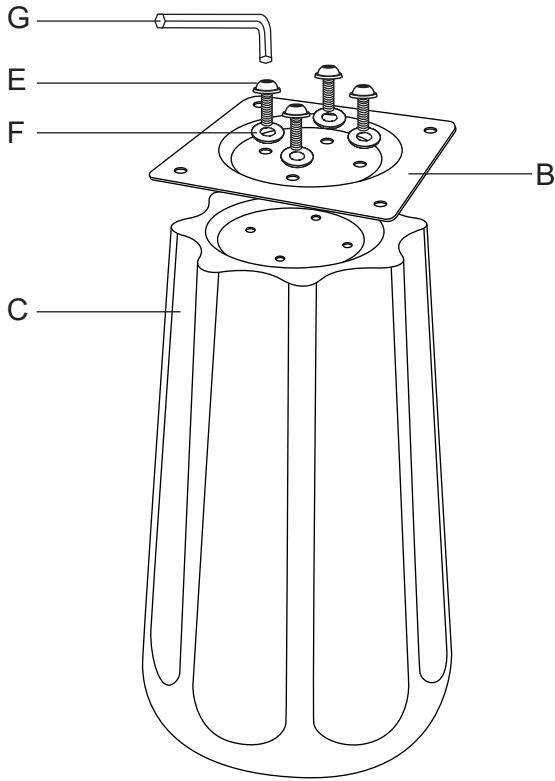
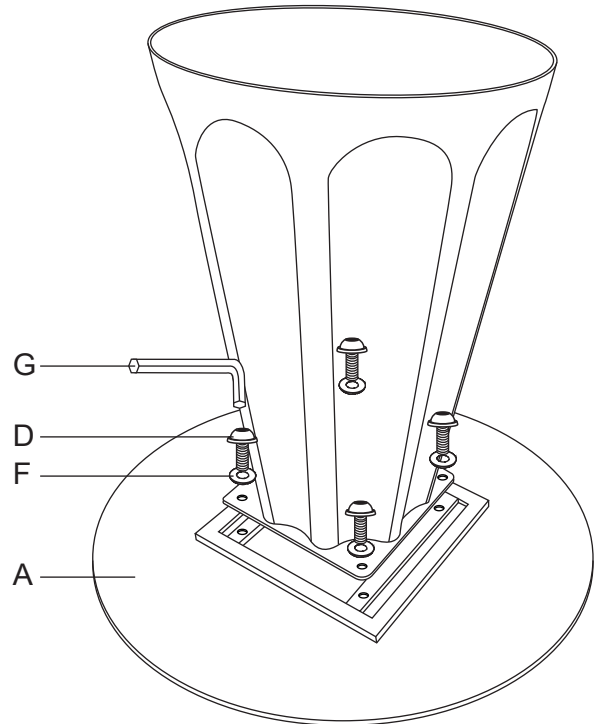


# ASSEMBLY INSTRUCTION

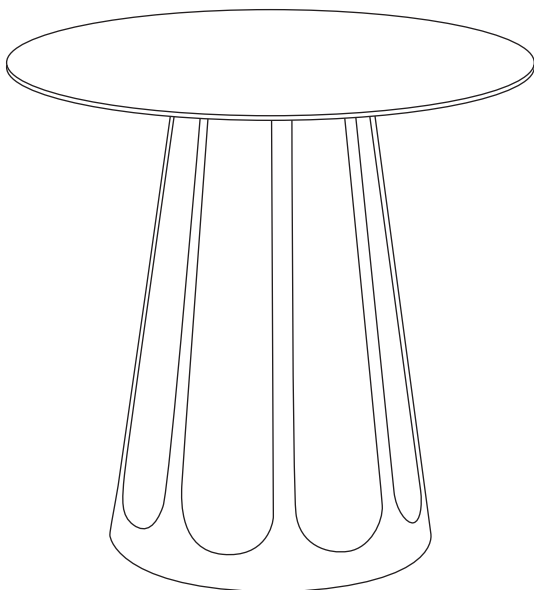
1



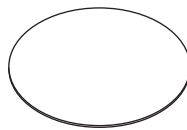
2



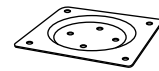
3



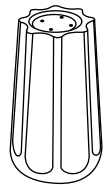
Ax1



Bx1



Cx1



Dx4



Ex4



Fx8



Gx1

