

A



M8\*16 x20

B



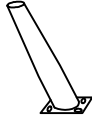
x20

C



x1

D



x2

E



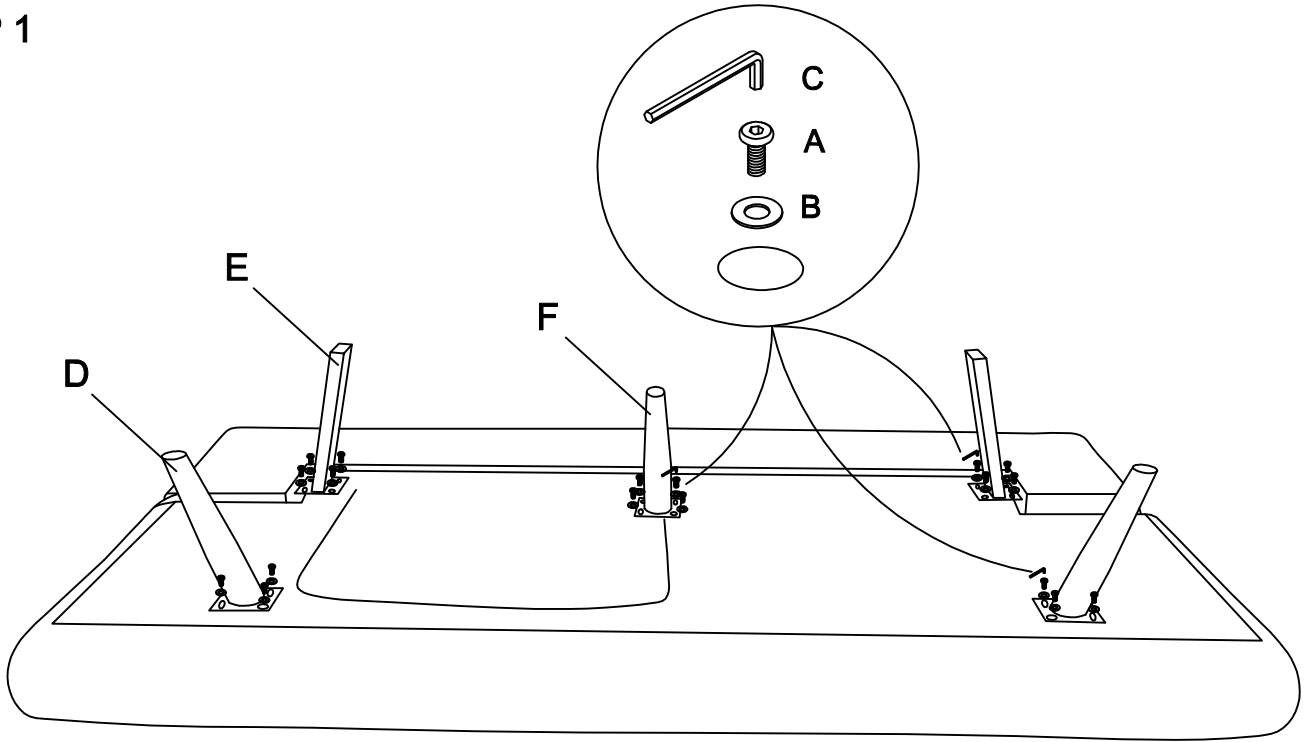
x2

F



x1

STEP 1



STEP 2

