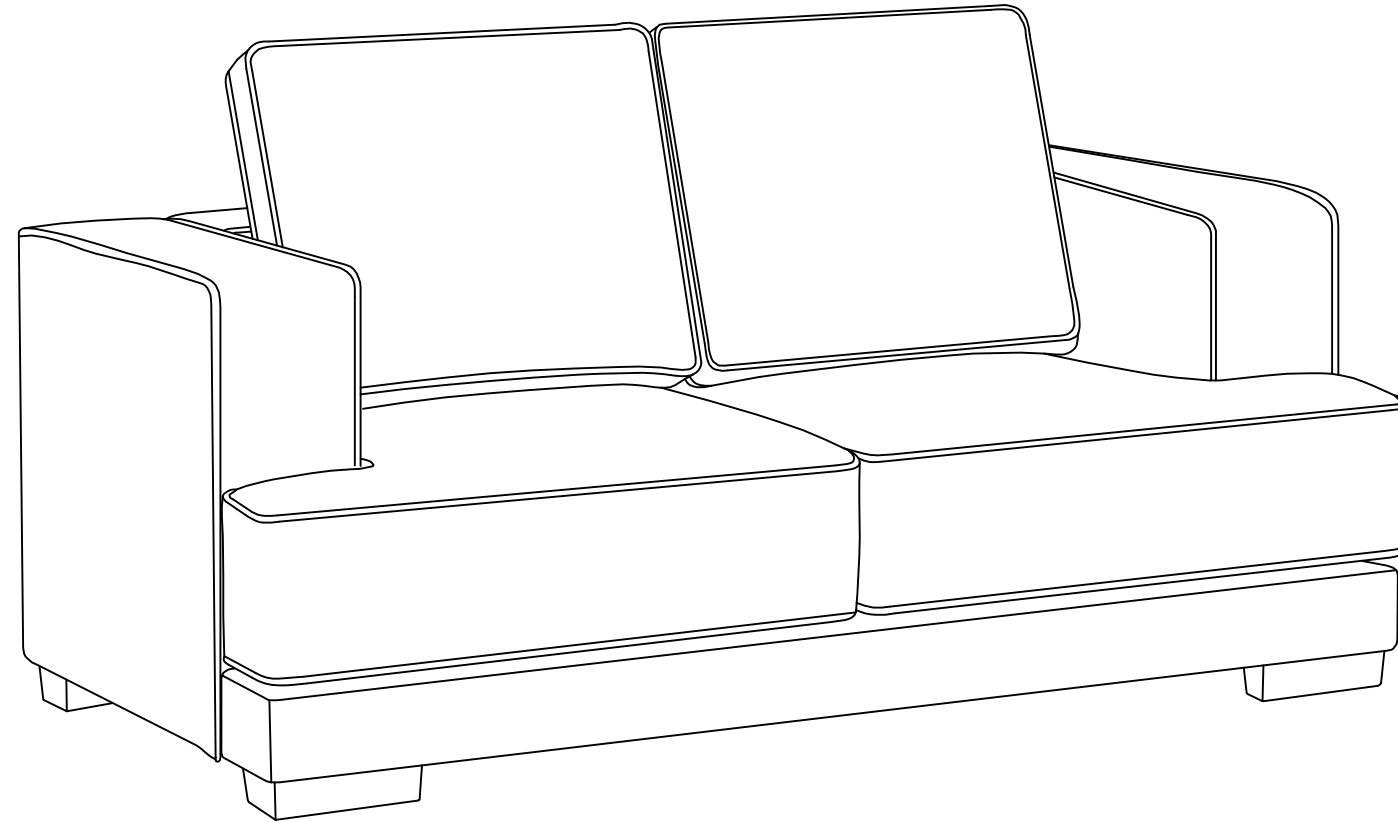
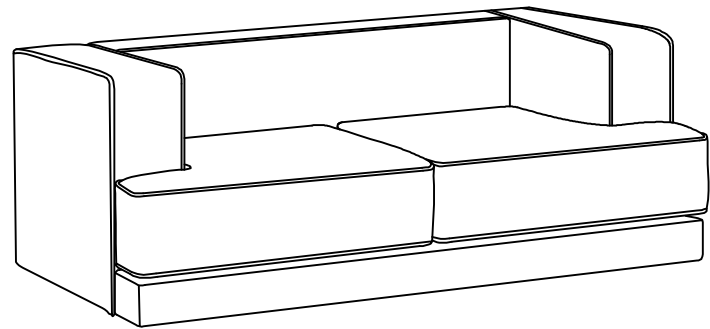


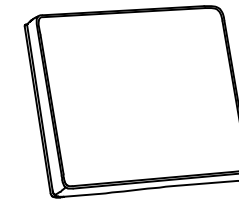
ASSEMBLY INSTRUCTION



PARTS LIST

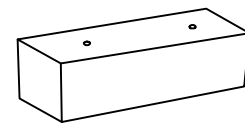


X1



X2

HARDWARE LIST

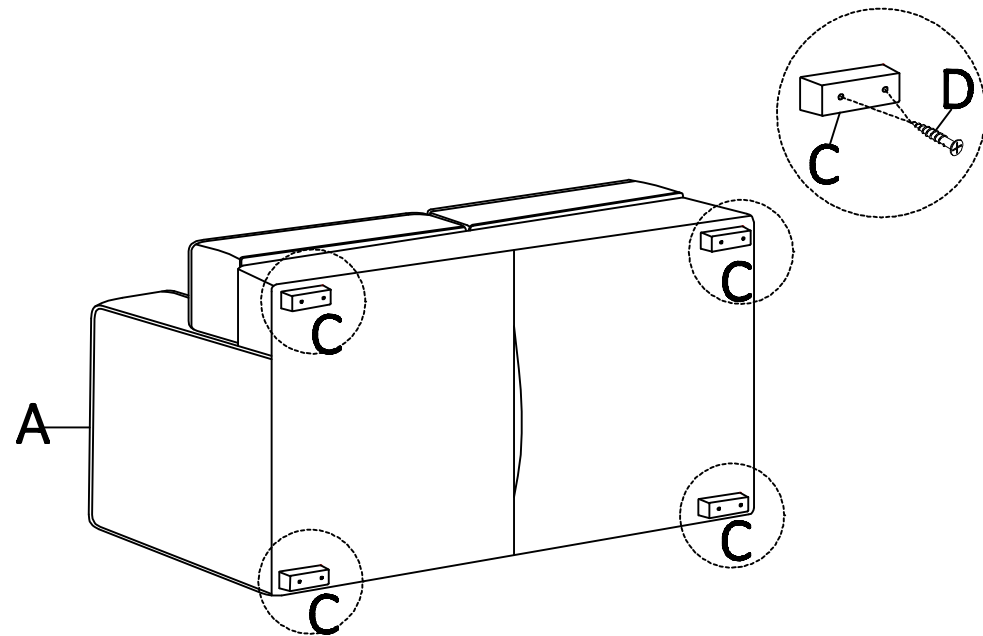


X4



X8

Step 1:



Step 2:

