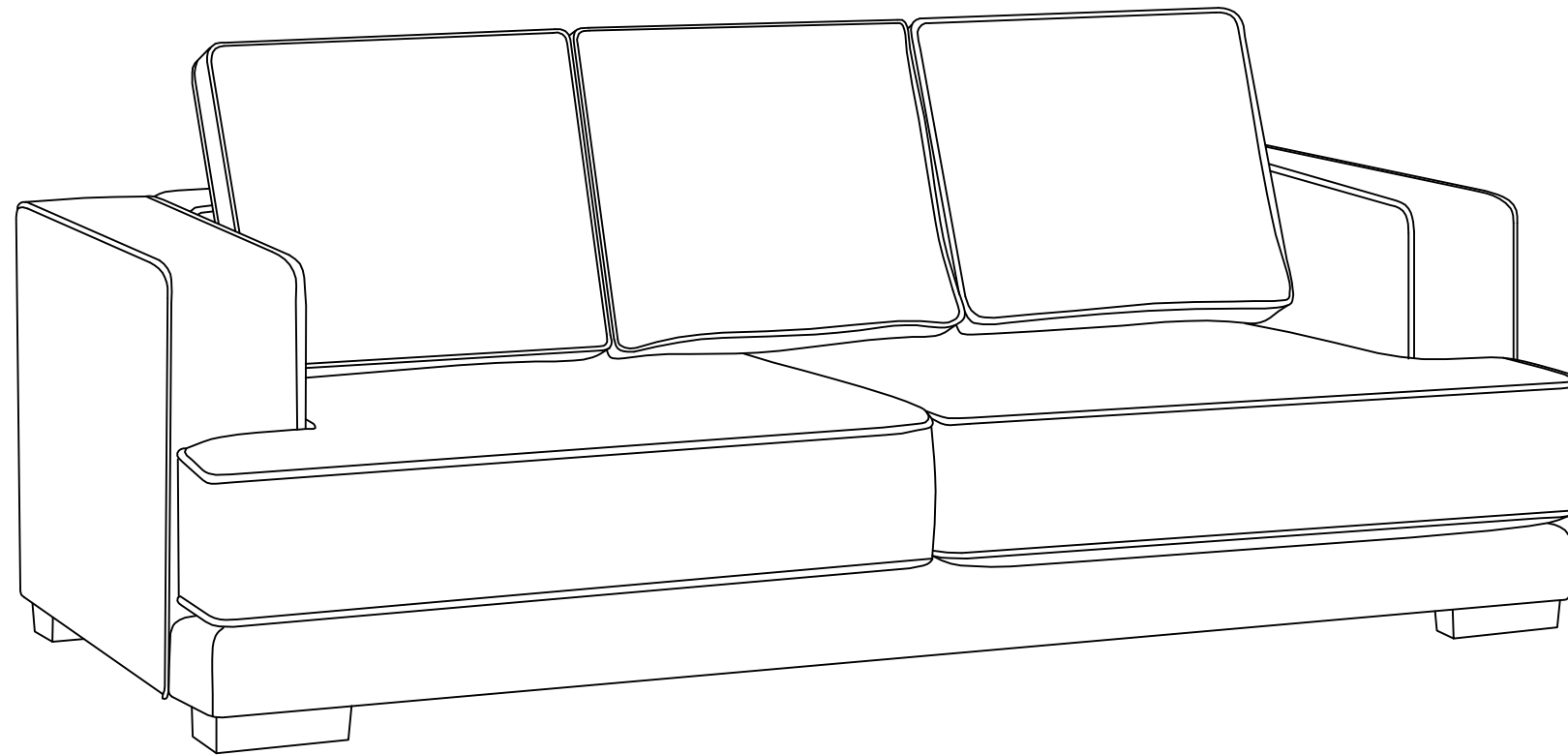
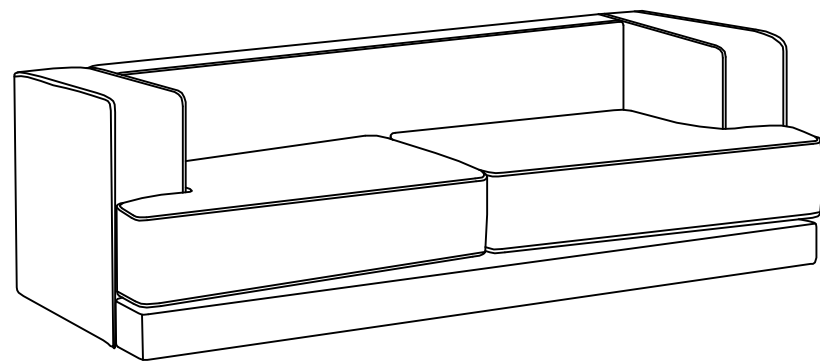


# ASSEMBLY INSTRUCTION

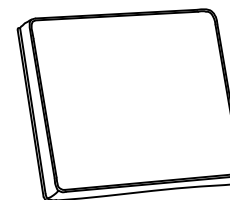


# PARTS LIST



A

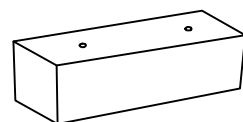
X1



B

X3

# HARDWARE LIST



C

X4



D

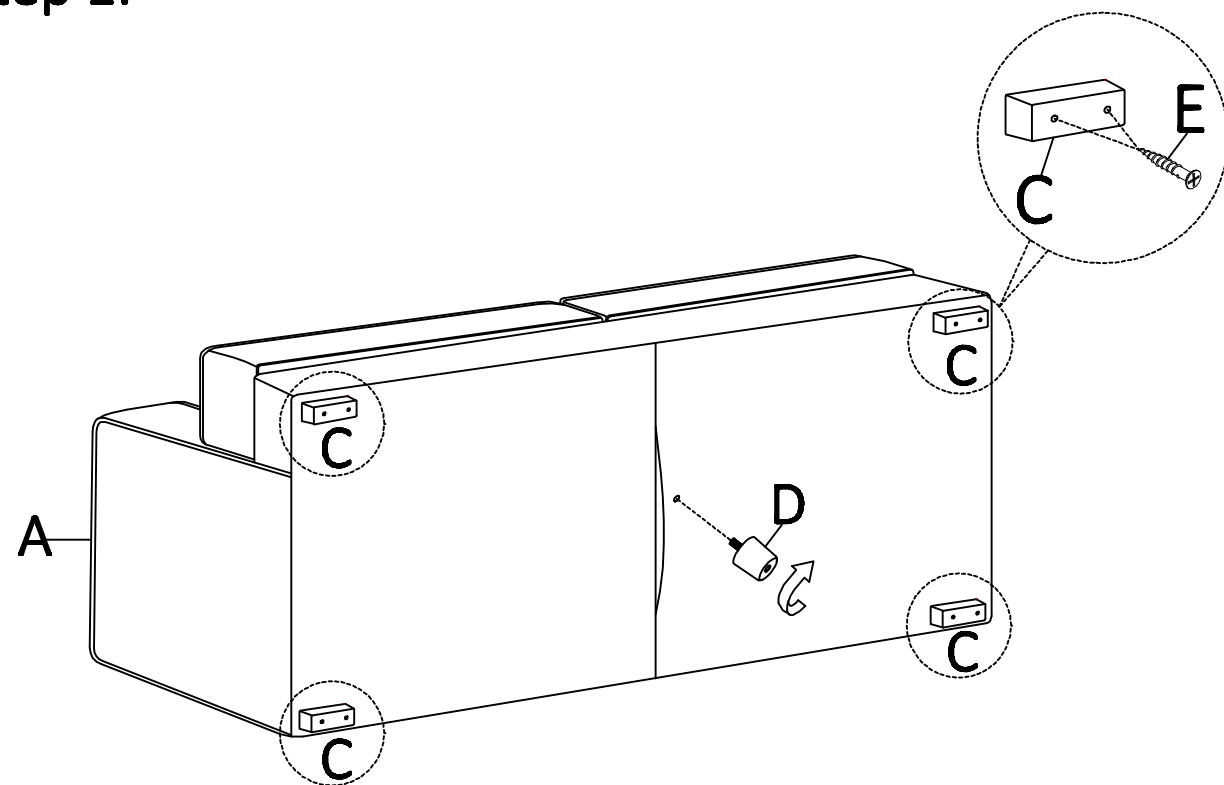
X1



E

X8

Step 1:



Step 2:

